

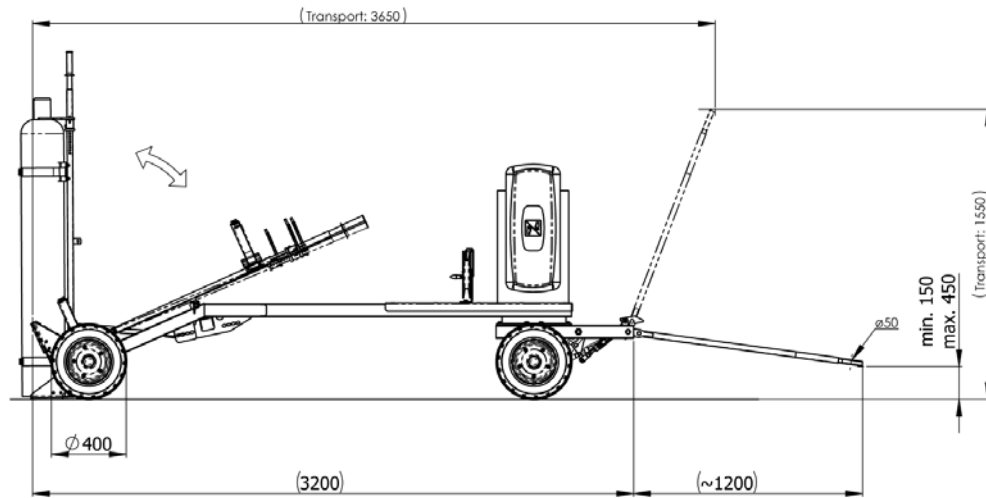
**JMS AG**  
 Jet Maintenance & Service  
 Rainer-Haungs-Strasse 42  
 77933 Lahr/Germany  
 Phone +49 (7821) 9 94 69 – 0  
 Fax +49 (7821) 9 94 69 – 100



Internet: <http://www.jms.aero/>  
 eMail: <mailto:sales@jms.aero>  
 HRB 705130 Amtsgericht Freiburg i.Br.  
 VAT Reg No/UST.-IdNr.: DE270217003  
 Doc. No. TDS J-CART-4BO\_R00.docx

**Datasheet:**

**p/n: J-CART- 4BO**

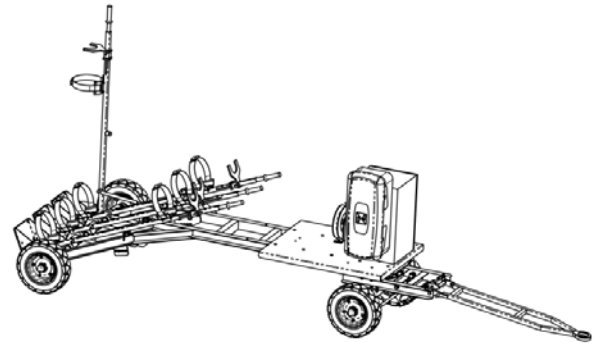


**Description:**

Aircraft/Cockpit Oxygen/O<sub>2</sub> servicing cart for servicing 1850 psi standard Aviator's Breathing Oxygen bottles

**Standard features/including:**

- Trailer/steel frame
- Tow bar with parking brake / tow-eye with diam. 3"/76.2mm,
- Four air-inflated tires
- 4 storage racks for standard O<sub>2</sub> bottles, V=40 l / 50l (with p<sub>max</sub> = 250bar /3625 psi) each bottle individually replaceable in separate tilt frame
- Frame hot-dip galvanized
- Grounding cable
- Aircraft O<sub>2</sub> panel servicing hose, 10 m (connectors to be specified individually)
- 6kg ABC Powder Fire-Extinguisher



**Options (at extra charges):**

- Coupling Oxygen  
 3/8-24 UNF, Brass  
 Mates with a/c adapter AND10089-3  
 → J-CART-OC3/8-24
- Coupling Oxygen  
 9/16-18 UNF, Messing  
 Filling connector 9/16-18 UNF (SCOTT)  
 → J-CART-OC9/16-18
- Puncture-proof tires  
 → Option R4
- Oxygen bottle, p=200 bar, V=50 l incl. valve  
 → J-CART-BOTTLE-O2

**Net weight (without options):**

- 280 kg / 617 lbs

**Documentation:**

- Technical manual  
 incl. illustrated spare parts list
- COC Certificate of Conformity

**Shipping dimensions incl. packing:**

Approx. Weight	Approx. shipping Dim. l x w x h	Approx. Volume
[kg]	[mm]	[m <sup>3</sup> ]
<b>285</b>	<b>3650 x 1700 x 1550</b>	<b>9,6</b>
[lbs]	[inch]	[ft <sup>3</sup> ]
<b>628</b>	<b>144 x 67 x 61</b>	<b>339</b>