

**JMS AG**  
 Jet Maintenance & Service  
 Rainer-Haungs-Strasse 42  
 77933 Lahr/Germany  
 Phone +49 (7821) 9 94 69 – 0  
 Fax +49 (7821) 9 94 69 – 100



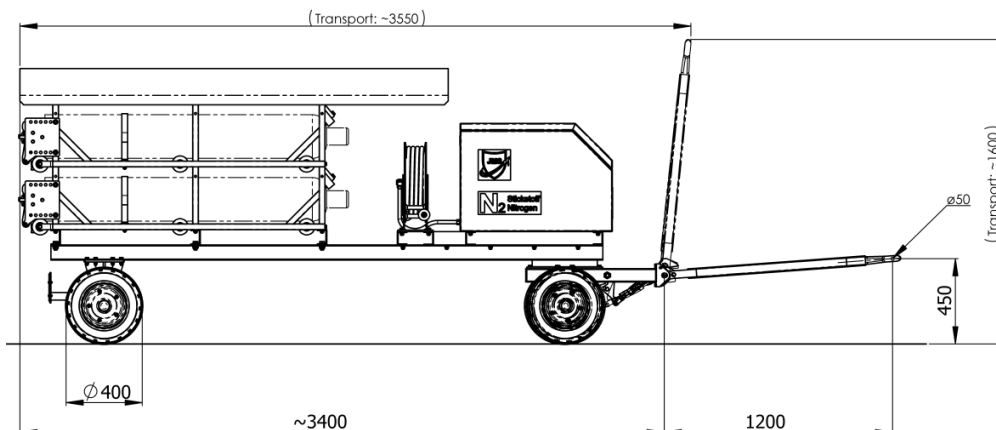
Internet: <http://www.jms.aero/>  
 eMail: <mailto:sales@jms.aero>

HRB 705130 Amtsgericht Freiburg i.Br.  
 VAT Reg No/USt.-IdNr.: DE270217003

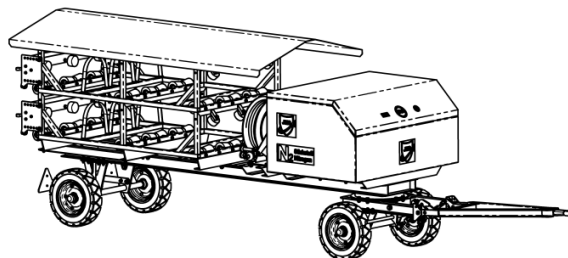
Doc. No. TDS J-CART-6BN-Booster\_R01.docx

**Datasheet:**

**p/n: J-CART-6BN-BOOSTER**



Picture may show options.



**Description:**

Nitrogen service cart for aircraft tire/shock-strut servicing. Allows safe and easy carrying of six (6) nitrogen bottles for onsite-service. Nitrogen system consists of one low-pressure (LP) circuit for aircraft tire inflation servicing and one high-pressure (HP) circuit for shock-strut/oleo servicing.

**Standard features/including:**

- Trailer/steel frame with tow bar, Diam. 2"/50mm tow-eye, four air-inflated tires
- Frame hot-dip galvanized
- Storage rack for qty. 6 standard N<sub>2</sub> bottles, V=50 l, p=200 bar/2900 psi
- LP circuit with gauges and pressure regulator adjustable from 0-35 bar (0-507 psi), stop valve and spring-retracted hose drum, carrying a 12 m LP-hose
- HP circuit with booster and pressure regulator, adjustable from 2-275 bar (29-3988 psi), stop valve and spring-retracted hose drum, carrying a 12 m HP-hose

**Options (at extra charges):**

- Puncture-proof tires  
     ➔ Option R4
- Nitrogen bottle, p=200 bar, V=50 l incl. valve  
     ➔ J-CART-BOTTLE-N2
- Aircraft tire inflator gun, complete with connector set for small and large bore aircraft tire valves  
     ➔ J-TIREGUN
- Bottle adapter for country specific gas bottles  
     ➔ J-Adapter-Nxx
- Nitrogen filling adapter (see. separate datasheet)  
     ➔ W-7300xx
- Protective canopy  
     ➔ J-CANOPY
- Supply pressure gauge with calibration certificate i.a.w. DKD

**Documentation:**

- Technical manual incl. illustrated spare parts list
- COC Certificate of Conformity

**Shipping dimensions incl. packing:**

Approx. Weight	Approx. shipping Dim. l x w x h	Approx. Volume
[kg]	[mm]	[m <sup>3</sup> ]
<b>500</b>	<b>3550 x 1150 x 1600</b>	<b>6,5</b>
[lbs]	[inch]	[ft <sup>3</sup> ]
<b>1100</b>	<b>140 x 45 x 63</b>	<b>230,6</b>

**Net weight (without options):**

- 490 kg/1080 lbs

We reserve the right to update this datasheet at any time w/o prior notice!