

**JMS AG**

Rainer-Haungs-Straße 42  
77933 Lahr/Germany

URL: <http://www.jms.aero/>  
E-Mail: [sales@jms.aero](mailto:sales@jms.aero)

**J-POD10SX03**

Doc. No.: TDS J-POD10SX03\_R00.docx

**Datasheet J-POD-series****Standard features:**

- Tripod steel frame
- Hydraulic lift cylinder (single stage) with hard-chrome plated piston and **integrated automatic mechanical INTERLOCK-system** (preventing cylinder from descending in case of hydraulic pressure drop/failure)
- Interchangeable spherical jacking adapter, R3/4" concave
- Manually height adjustable foot pads
- Spring-loaded heavy-duty castors
- Hydraulic tank (steel) incl. oil level (sight glass) and filter
- Dual hand pump (LP + HP)
- Pneumatically-driven hydraulic pump
- Load indicator with metric scale (bar)
- 2K-PU SKYDROL-resistant paint
- Standard color RAL 1007 (daffodil yellow)

**Options available:**

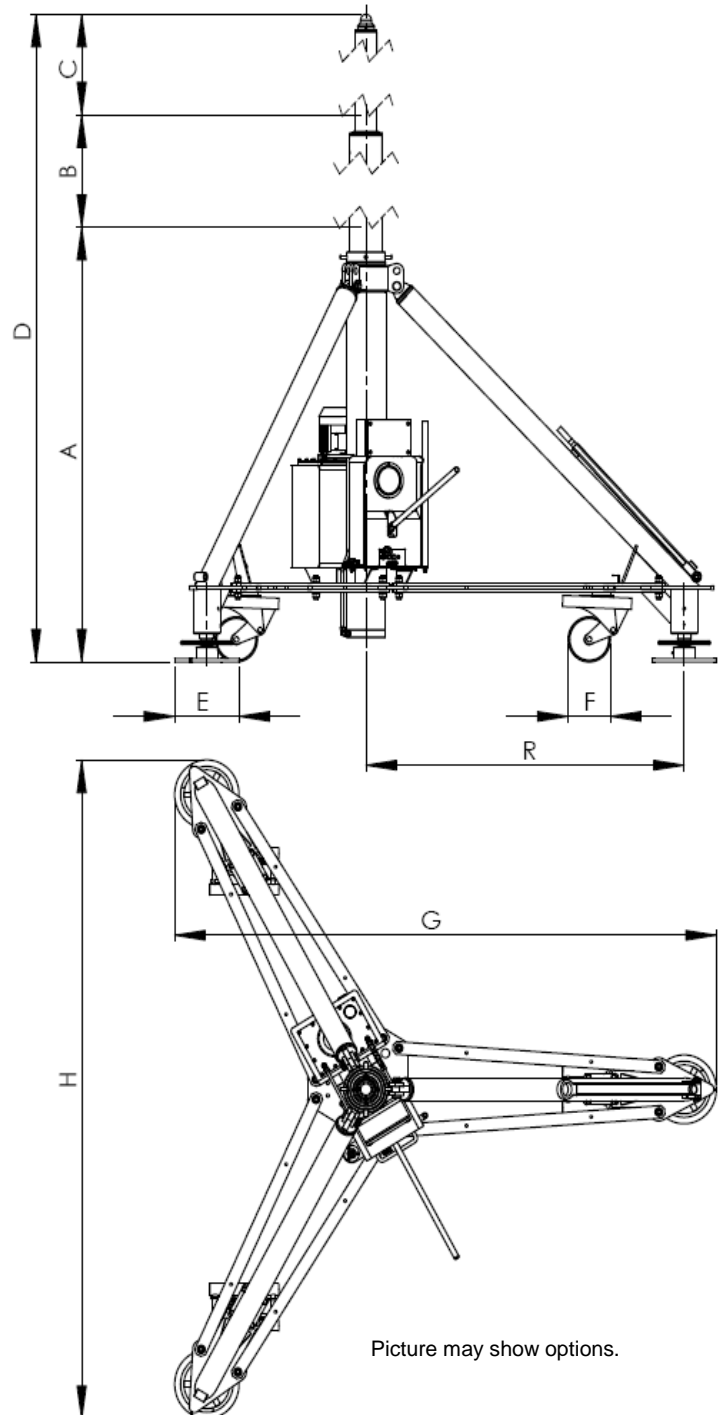
- Load indicator with imperial scale/psi
- Mechanical indicator for lifting height
- Electrically-driven hydraulic pump
- Tow-bar with  $\varnothing 76,2\text{mm} / 3"$  tow-eye
- Customized color in accordance with RAL color coding scheme
- Automatic lifting and leveling system

**Documentation:**

- Operation & maintenance manual incl. illustrated spare parts list
- Proof load test certificate
- COC (Certificate of Conformity)
- CE Declaration of Conformity

**Aircraft application:**

ANTONOV AN-148/ -158/ -168  
**TAIL**



Picture may show options.

Capacity	A Min. height	B Hydr. Lift	C Adapter Ext.	D Max. height	E	F	G	H	R
[t]	[mm]	[mm]	[mm]	[mm]	[mm]	[mm]	[mm]	[mm]	[mm]
<b>10</b>	<b>1400</b>	<b>950</b>	<b>0</b>	<b>2350</b>	<b>250</b>	<b>250</b>	<b>1420</b>	<b>1601</b>	<b>780</b>
[tn sh.]	[inch]	[inch]	[inch]	[inch]	[inch]	[inch]	[inch]	[inch]	[inch]
<b>11.0</b>	<b>55.1</b>	<b>37.4</b>	<b>0</b>	<b>92.5</b>	<b>9.8</b>	<b>9.8</b>	<b>55.9</b>	<b>63.0</b>	<b>30.7</b>

Packing information on request.

We reserve the right to update this datasheet at any time w/o prior notice!