

JMS AG

Rainer-Haungs-Straße 42
77933 Lahr/Germany

URL: <http://www.jms.aero/>
E-Mail: sales@jms.aero

**J-POD25SX01**

Doc. No.: TDS J-POD25SX01_R00.docx

Datasheet J-POD-series**Standard features:**

- Tripod steel frame
- Hydraulic lift cylinder (single stage) with hard-chrome plated piston and **integrated automatic mechanical INTERLOCK-system** (preventing cylinder from descending in case of hydraulic pressure drop/failure)
- Interchangeable spherical jacking adapter, R3/4" concave
- Manually height adjustable foot pads
- Spring-loaded heavy-duty castors
- Hydraulic tank (steel) incl. oil level (sight glass) and filter
- Dual hand pump (LP + HP)
- Pneumatically-driven hydraulic pump
- Load indicator with metric scale (bar)
- 2K-PU SKYDROL-resistant paint
- Standard color RAL 1007 (daffodil yellow)

Options available:

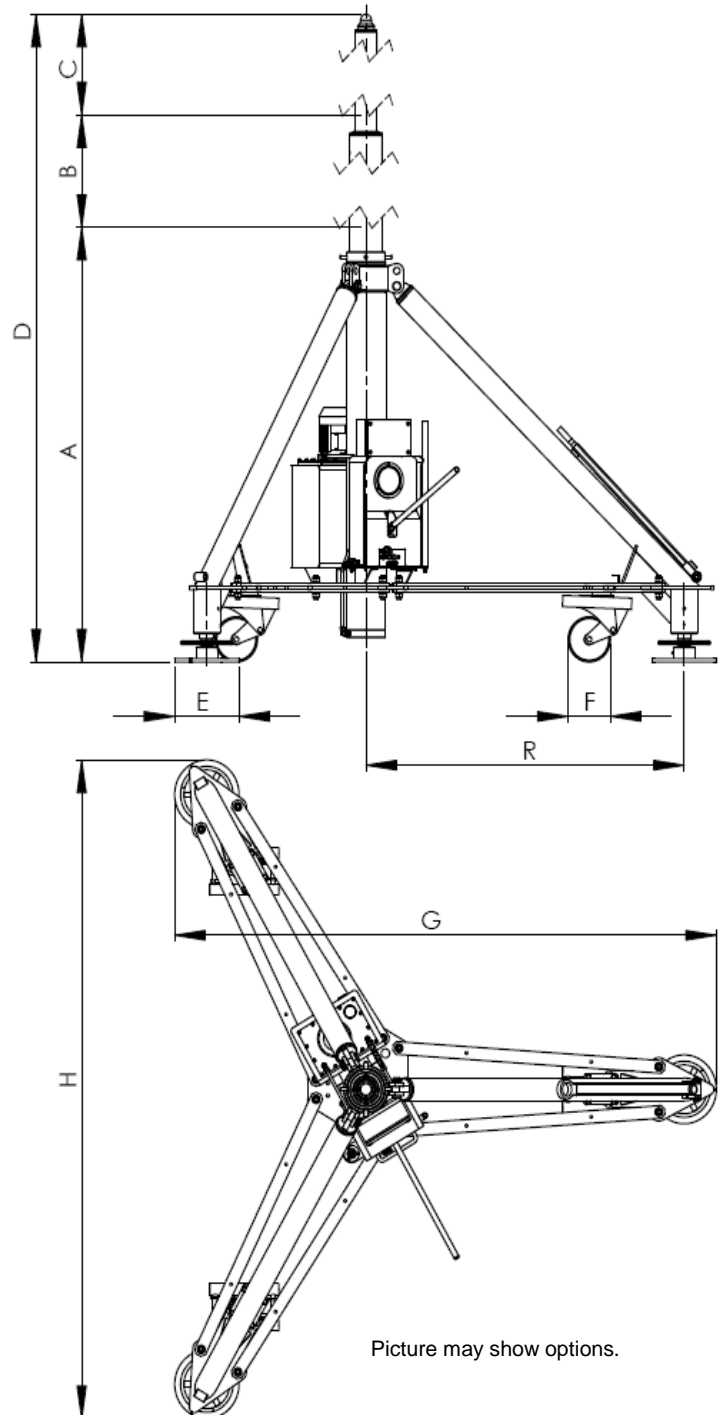
- Load indicator with imperial scale/psi
- Mechanical indicator for lifting height
- Electrically-driven hydraulic pump
- Tow-bar with \varnothing 76,2mm / 3" tow-eye
- Customized color in accordance with RAL color coding scheme
- Automatic lifting and leveling system

Documentation:

- Operation & maintenance manual incl. illustrated spare parts list
- Proof load test certificate
- COC (Certificate of Conformity)
- CE Declaration of Conformity

Aircraft application:

ANTONOV AN-148/ -158/ -168
WING



Picture may show options.

Capacity	A Min. height	B Hydr. Lift	C Adapter Ext.	D Max. height	E	F	G	H	R
[t]	[mm]	[mm]	[mm]	[mm]	[mm]	[mm]	[mm]	[mm]	[mm]
25	3300	1150	0	4450	250	250	2455	2796	1470
[tn sh.]	[inch]	[inch]	[inch]	[inch]	[inch]	[inch]	[inch]	[inch]	[inch]
27.6	129.9	45.3	0	175.2	9.8	9.8	96.7	110.1	57.9

Packing information on request.

We reserve the right to update this datasheet at any time w/o prior notice!