

**JMS AG**

Rainer-Haungs-Straße 42  
77933 Lahr/Germany

URL: <http://www.jms.aero/>  
E-Mail: [sales@jms.aero](mailto:sales@jms.aero)

**J-STAY05MX01**

Doc. No.: TDS J-STAY05MX01\_R03.docx

**Datasheet J-STAY-series****Standard features:**

- Tripod steel frame
- Jackscrew, manually operated
- Interchangeable spherical jacking adapter, R3/4" concave
- Manually height adjustable foot pads
- Spring-loaded heavy-duty castors
- Directional locking mechanism
- 2K-PU SKYDROL-resistant paint
- Standard color RAL 1007 (daffodil yellow)

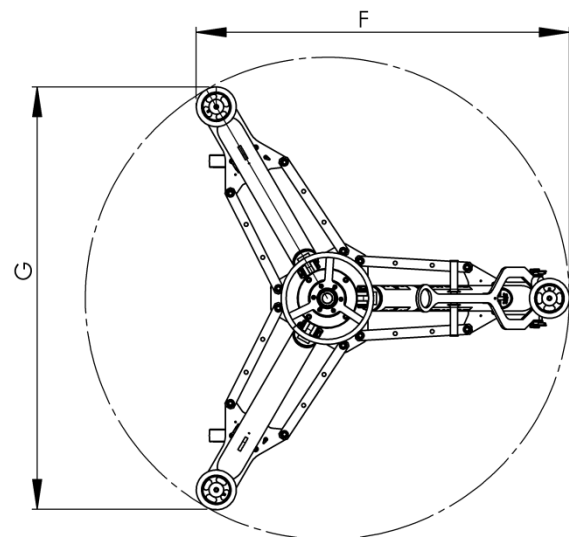
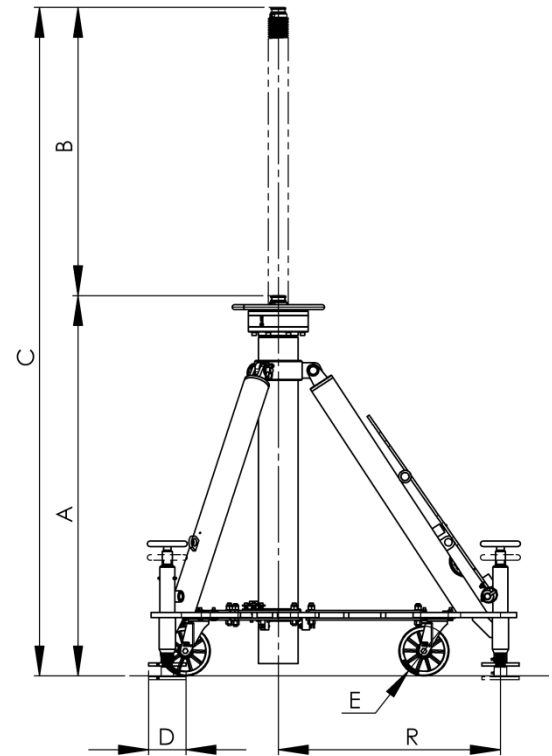
**Documentation:**

- Operation & maintenance manual incl. illustrated spare parts list
- Proof load test certificate
- COC (Certificate of Conformity)
- CE Declaration of Conformity

**Aircraft application:**

IRKUT MS-21-200/ -300

**AFT BODY, TAIL  
(FUSELAGE TRESTLE)**



Picture shown above is exemplary only and may contain options.

Capacity	A Min. height	B Jackscrew range	C Max. height	D	E	F	G	R
[t]	[mm]	[mm]	[mm]	[mm]	[mm]	[mm]	[mm]	[mm]
<b>5</b>	<b>2500</b>	<b>1100</b>	<b>3600</b>	<b>150</b>	<b>200</b>	<b>1935</b>	<b>2211</b>	<b>1190</b>
[tn sh.]	[inch]	[inch]	[inch]	[inch]	[inch]	[inch]	[inch]	[inch]
<b>5.5</b>	<b>98.4</b>	<b>43.3</b>	<b>141.7</b>	<b>5.9</b>	<b>7.9</b>	<b>76.2</b>	<b>87.0</b>	<b>46.9</b>