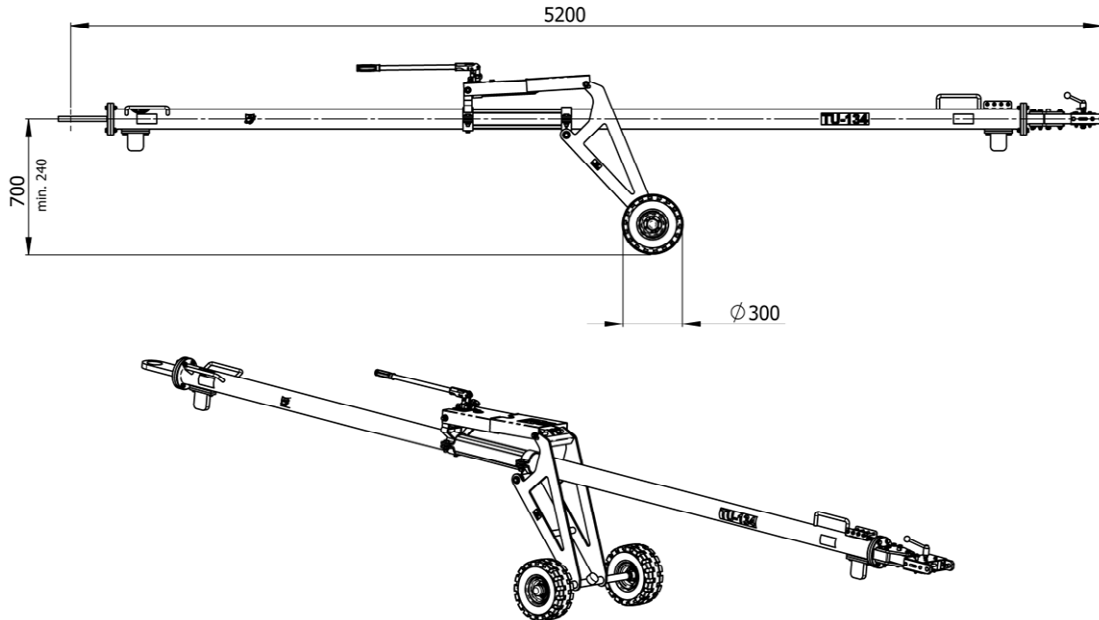


## J-TOW134



### Standard features:

- Push/Pull and torque shear pin
- 4 spare shear pins included
- Retaining pin
- Air-inflated tires
- Hydraulically height adjustable undercarriage
- Steel tube
- Skydrol resistant paint
- Standard colors: yellow RAL 1007 (tube), black RAL 9004 (undercarriage)

### Net weight:

- 135 kg / 298 lbs

### Aircraft application:

- TU-134

### Options (at extra charges):

- Puncture-proof (full rubber) tires  
→ Option R3
- Revolving toweye  
→ Option CP
- Revolving toweye with shock absorber  
→ Option CA
- Customized color for towbar tube i.a.w. RAL coding scheme  
→ Option C-RAL

### Documentation:

- Technical manual incl. illustrated spare parts list
- COC Certificate of Conformity
- CE Declaration of Conformity (if applicable)

### Shear pins / Retaining pin:

- 00.36910.0013 "E" Push/Pull
- 00.40870.0012 "AD" Torque
- 20-00830-0020-021 "AC-FB" Retaining pin

### Shipping information incl. packing:

Approx. Weight	Approx. shipping Dims l x w x h	Approx. Volume
[kg] <b>251</b>	[mm] <b>5300 x 1050 x 965</b>	[m <sup>3</sup> ] <b>5,4</b>
[lbs] <b>553</b>	[inch] <b>209 x 41 x 38</b>	[ft <sup>3</sup> ] <b>191</b>