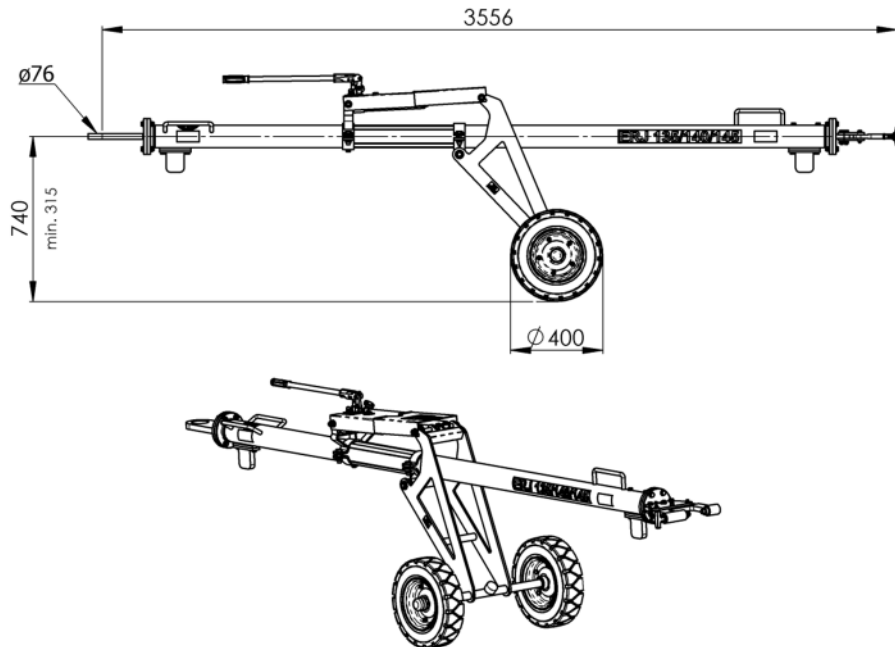


## J-TOW135



### Standard features:

- Push/Pull and torque shear pin
- 2 spare shear pins included
- Retaining pin
- Air-inflated tires
- Hydraulically height adjustable undercarriage
- Steel tube
- Skydrol resistant paint
- Standard colors:  
 yellow RAL 1007 (tube),  
 black RAL 9004 (undercarriage)

### Net weight:

- 130 kg / 286 lbs

### Aircraft application:

- Embraer ERJ 135/140/145/  
 Legacy 600/650 (EMB-135, EMB-145)

### Options (at extra charges):

- Puncture-proof (full rubber) tires  
 → Option R4
- Revolving toweye  
 → Option CP
- Revolving toweye with shock absorber  
 → Option CA
- Customized color for towbar tube i.a.w.  
 RAL coding scheme  
 → Option C-RAL

### Documentation:

- Technical manual incl. illustrated spare parts list
- COC Certificate of Conformity
- CE Declaration of Conformity (if applicable)

### Shear pins / Retaining pin:

- 20-00070-0020-022 “AG” Push/Pull and Torque
- 20-00070-0020-021 “AG-FB” Retaining pin

### Shipping information incl. packing:

Approx. Weight	Approx. shipping Dims l x w x h	Approx. Volume
[kg] <b>246</b>	[mm] <b>3700 x 1050 x 965</b>	[m <sup>3</sup> ] <b>3,7</b>
[lbs] <b>542</b>	[inch] <b>146 x 41 x 38</b>	[ft <sup>3</sup> ] <b>131</b>