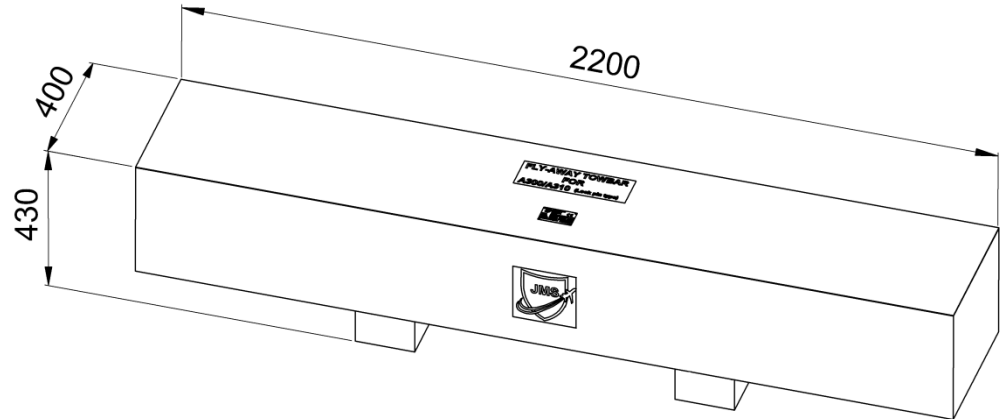


J-TOW300-C-TBA



Standard features:

- Transport Box made of aluminium
- Support blocks to securely fix the towbar components
- Retractable handles on each side to carry box by hand and to strap box down
- Sealed top cover
- Forklift blocks

Net weight:

- 29 kg / 64 lbs

Options (at extra charges):

- Customized color i.a.w. RAL coding

Shipping dimensions incl. packaging:

Approx. Weight	Approx. shipping Dims l x w x h	Approx. Volume
[kg]	[mm]	[m ³]
60	2250 x 450 x 600	0,60
[lbs]	[inch]	[ft ³]
132	88.5 x 17.7 x 23.6	21.2