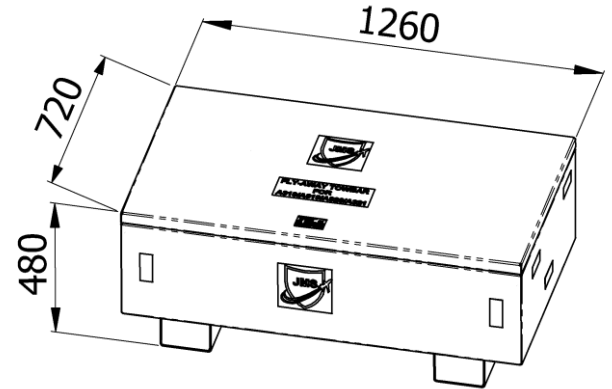




J-TOW320-TB



Standard features:

- Multiplex panel V100
- Standard color light grey RAL 7035
- Support blocks to securely fix the dismantled towbar components
- 2 retratable handles on each side to carry box by hand and to strap box down
- Forklift blocks

Options (at extra charges):

- Customized color i.a.w. RAL coding

Net weight:

- 38 kg / 83 lbs

Shipping dimensions incl. packaging:

Approx. Weight	Approx. shipping Dims l x w x h	Approx. Volume
[kg] 65	[mm] 1300 x 800 x 630	[m ³] 0,65
[lbs] 144	[inch] 51 x 31.5 x 24.8	[ft ³] 23