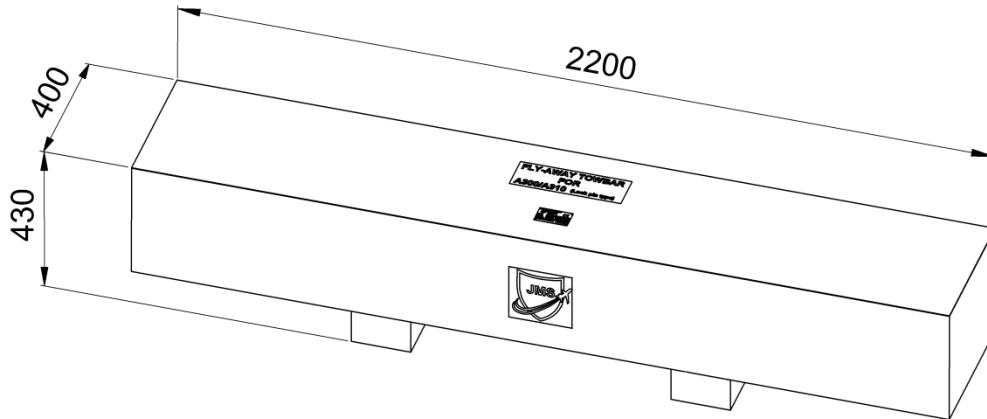




J-TOW345-TBA



Standard features:

- Transport Box made of aluminium
- Support blocks to securely fix the towbar components
- Retractable handles on each side to carry box by hand and to strap box down
- Sealed top cover
- Forklift blocks

Options (at extra charges):

- Customized color i.a.w. RAL coding

Net weight:

- 29 kg / 64 lbs

Shipping dimensions incl. packaging:

Approx. Weight	Approx. shipping Dims l x w x h	Approx. Volume
[kg] 60	[mm] 2250 x 450 x 600	[m ³] 0,60
[lbs] 132	[inch] 88.5 x 17.7 x 23.6	[ft ³] 21.2