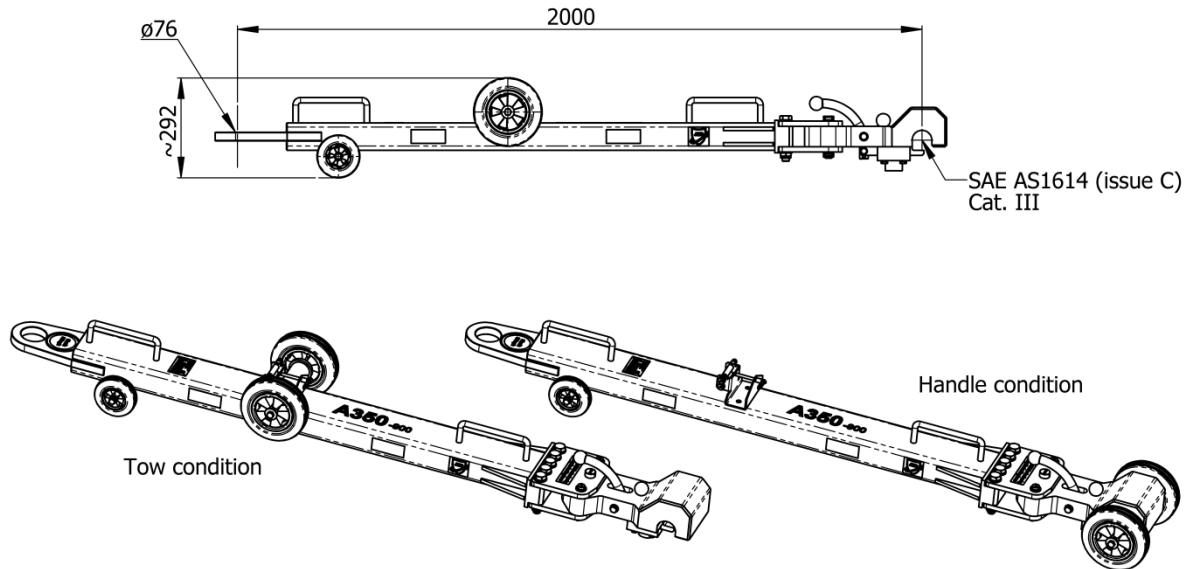


## J-TOW350-T



### Standard features:

- Push/Pull and torque shear pin
- 2 spare shear pins included
- Retaining pin
- Steel rectangular tube
- Aluminum towhead for coupling from above
- Rigid tow eye, 3" (ø76mm)
- Two wheels at each end (in handle condition)
- Skydrol resistant paint
- Standard color yellow RAL 1007

### Net weight:

- 70 kg / 154 lbs

### Aircraft application:

- A350 -900/-1000
- also suitable for A330-200(F)/-300/-800/-900 & A340/-200/-300

### Options (at extra charges):

- Transportation Box – P/N J-TOW350-TB
  - Material: Multiplex panel V100
  - l x w x h: 2200 x 400 x 430mm  
86.6 x 15.7 x 16.9 inch
  - Weight: 25kg / 55lbs
- Transportation Box – P/N J-TOW350-TBA
  - Material: Aluminum
  - l x w x h: 2200 x 400 x 430mm  
86.6 x 15.7 x 16.9 inch
  - Weight: 29kg / 64lbs
- Customized color for Towbar / Box  
i.a.w. RAL coding

### Documentation:

- Technical manual incl. illustrated spare parts list
- COC Certificate of Conformity
- CE Declaration of Conformity (if applicable)

### Shear pins / Retaining pin:

- 20-00260-0020-022 "AR" Push/Pull and Torque
- 20-00260-0020-021 "AR-FB" Retaining pin

### Shipping dimensions incl. packaging (dismantled, without the JMS-Transportation Box):

Approx. Weight	Approx. shipping Dims l x w x h	Approx. Volume
[kg]	[mm]	[m <sup>3</sup> ]
<b>95</b>	<b>2200 x 350 x 450</b>	<b>0,34</b>
[lbs]	[inch]	[ft <sup>3</sup> ]
<b>209</b>	<b>87 x 14 x 18</b>	<b>12</b>