

JMS AG
 Jet Maintenance & Service
 Rainer-Haungs-Strasse 42
 77933 Lahr/Germany
 Phone +49 (7821) 9 94 69 – 0
 Fax +49 (7821) 9 94 69 – 100



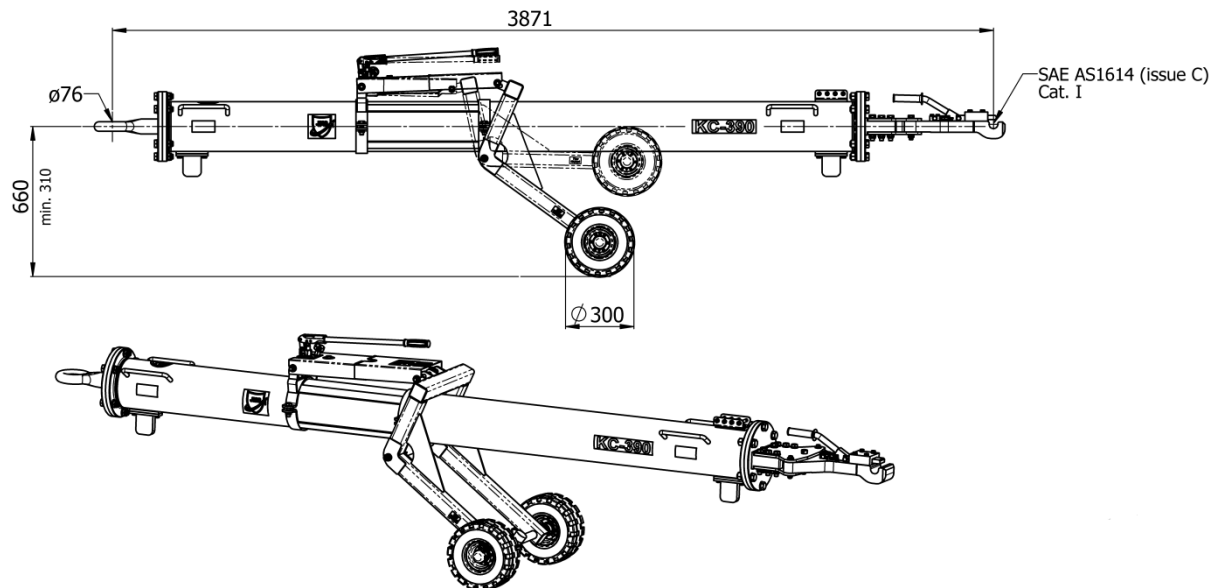
Internet: <http://www.jms.aero/>
 eMail: <mailto:sales@jms.aero>

HRB 705130 Amtsgericht Freiburg i.Br.
 VAT Reg No/USt.-IdNr.: DE270217003

Doc. No. TDS_J-TOW390_R00.docx

Datasheet:

p/n: J-TOW390



Standard features:

- Push/Pull and torque shear pin
- 4 spare shear pins included
- Retaining pin
- Revolving tow head $\pm 10^\circ$
- Air-inflated tires
- Hydraulically height adjustable undercarriage
- Steel tube
- Skydrol resistant paint
- Standard colors: yellow RAL 1007 (tube), black RAL 9004 (undercarriage)

Options (at extra charges):

- Puncture-proof (full rubber) tires
 → Option R3
- Floating axle
 → Option AV
- Revolving tow eye
 → Option AP
- Revolving tow eye with shock absorber
 → Option AA
- Customized color for towbar tube i.a.w. RAL coding scheme
 → Option A-RAL

Aircraft application:

- Embraer KC-390

Net weight:

- 282 kg / 621 lbs

Documentation:

- Technical manual incl. illustrated spare parts list
- COC Certificate of Conformity
- CE Declaration of Conformity (if applicable)

Shipping information incl. packing:

Approx. Weight	Approx. shipping Dims l x w x h	Approx. Volume
[kg] 398	[mm] 4300 x 1050 x 965	[m ³] 4,4
[lbs] 877	[inch] 169 x 41 x 38	[ft ³] 155