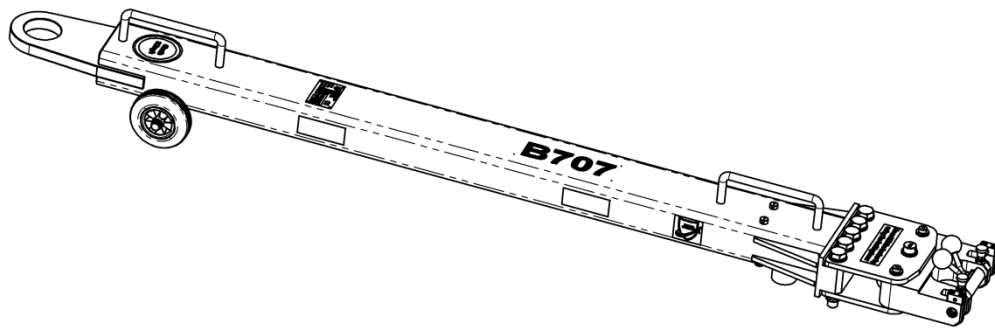
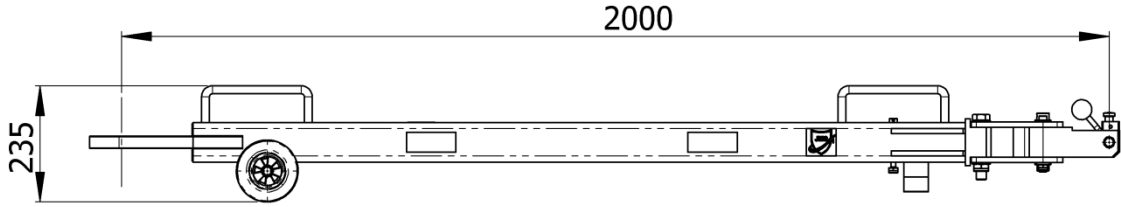


J-TOW707-T



Standard features:

- Push/Pull and torque shear pin
- 2 spare shear pins included
- Retaining pin
- Steel rectangular tube
- Aluminium towhead
- Rigid tow eye, $\varnothing 3''$ ($\varnothing 76\text{mm}$)
- Wheels at tow eye side
- Skydrol resistant paint
- Standard color yellow RAL 1007

Net weight:

- 60 kg / 132 lbs

Aircraft application:

- B707

Options (at extra charges):

- Transportation Box – P/N J-TOW707-TB
 - Material: Multiplex panel V100
 - l x w x h: 2200 x 400 x 430mm
86.6 x 15.7 x 16.9 inch
 - Weight: 25kg / 55lbs
- Transportation Box – P/N J-TOW707-TBA
 - Material: Aluminium
 - l x w x h: 2200 x 400 x 430mm
86.6 x 15.7 x 16.9 inch
 - Weight: 29kg / 64lbs
- Customized color for Towbar / Box
i.a.w. RAL coding

Documentation:

- Technical manual incl. illustrated spare parts list
- COC Certificate of Conformity
- CE Declaration of Conformity (if applicable)

Shipping dimensions incl. packaging (dismantled, without the JMS-Transportation Box):

Approx. Weight	Approx. shipping Dims l x w x h	Approx. Volume
[kg]	[mm]	[m ³]
85	2100 x 260 x 400	0,21
[lbs]	[inch]	[ft ³]
187	83 x 10 x 16	7.4