

**JMS AG**  
 Jet Maintenance & Service  
 Rainer-Haungs-Strasse 42  
 77933 Lahr/Germany  
 Phone +49 (7821) 9 94 69 – 0  
 Fax +49 (7821) 9 94 69 – 100



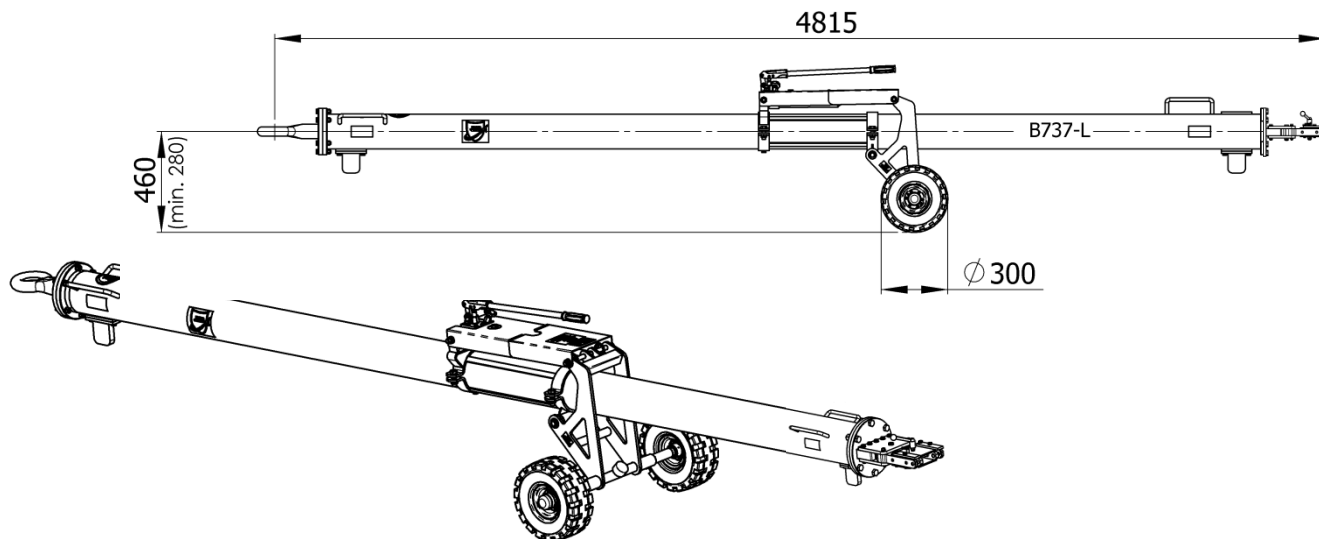
Internet: <http://www.jms.aero/>  
 eMail: <mailto:sales@jms.aero>

HRB 705130 Amtsgericht Freiburg i.Br.  
 VAT Reg No/UST.-IdNr.: DE270217003

Doc. No. TDS\_J-TOW737-L\_R01.docx

**Datasheet:**

**p/n: J-TOW737-L**



**Standard features:**

- Lock-pin - Towhead
- Push/Pull and torque shear pin
- 2 spare shear pins included
- Retaining pin
- Air-inflated tires
- Hydraulically height adjustable undercarriage
- Steel tube
- Skydrol resistant paint
- Standard colors: yellow RAL 1007 (tube), black RAL 9004 (undercarriage)

**Options (at extra charges):**

- Puncture-proof (full rubber) tires  
 → Option R3
- Floating axle  
 → Option BV
- Revolving tow head ± 10°  
 → Option BD
- Revolving tow eye  
 → Option BP
- Revolving tow eye with shock absorber  
 → Option BA
- Customized color for towbar tube i.a.w. RAL coding scheme  
 → Option B-RAL

**Net weight:**

- 220 kg / 485 lbs

**Aircraft application:**

- B737-100/-200 Lock-pin  
 For B737- models with Clamp-type-tow-fitting ("Cross-bolt-tow-fitting") see Datasheet p/n J-TOW737-C

**Documentation:**

- Technical manual incl. illustrated spare parts list
- COC Certificate of Conformity
- CE Declaration of Conformity (if applicable)

**Shipping information incl. packing:**

Approx. Weight	Approx. shipping Dims l x w x h	Approx. Volume
[kg]	[mm]	[m <sup>3</sup> ]
<b>285</b>	<b>5000 x 1000 x 720</b>	<b>3,6</b>
[lbs]	[inch]	[ft <sup>3</sup> ]
<b>628</b>	<b>197 x 39 x 28</b>	<b>127.1</b>

We reserve the right to update this datasheet at any time w/o prior notice!