

**JMS AG**  
Rainer-Haungs-Strasse 42  
77933 Lahr/Germany

Phone: +49 (7821) 9 94 69 – 0  
Fax: +49 (7821) 9 94 69 – 100

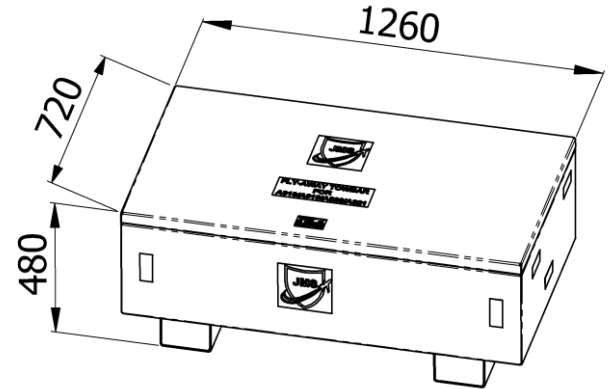


Internet: [www.jms.aero](http://www.jms.aero)  
E-Mail: [sales@jms.aero](mailto:sales@jms.aero)

TDS\_J-TOW737-TB\_R01

Page 1 of 1

## J-TOW737-TB



### Standard features:

- Multiplex panel V100
- Standard color light grey RAL 7035
- Support blocks to securely fix the dismantled towbar components
- 2 retratable handles on each side to carry box by hand and to strap box down
- Forklift blocks

### Net weight:

- 38 kg / 83 lbs

### Options (at extra charges):

- Customized color i.a.w. RAL coding

### Shipping dimensions incl. packaging:

Approx. Weight	Approx. shipping Dims l x w x h	Approx. Volume
[kg]	[mm]	[m <sup>3</sup> ]
<b>65</b>	<b>1300 x 800 x 630</b>	<b>0,65</b>
[lbs]	[inch]	[ft <sup>3</sup> ]
<b>144</b>	<b>51 x 31.5 x 24.8</b>	<b>23</b>