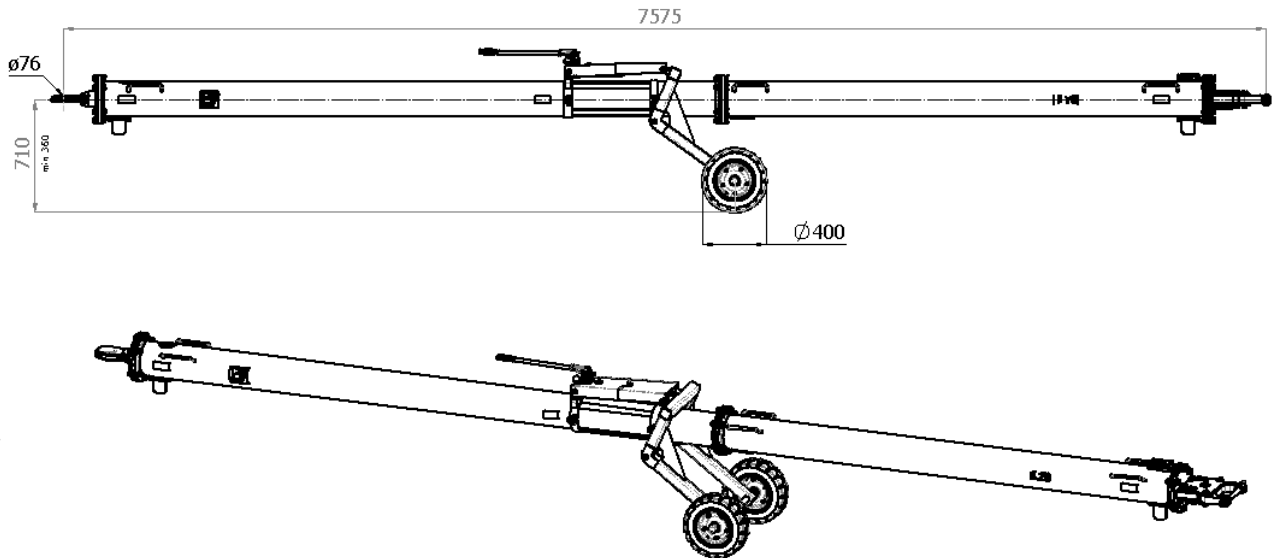


J-TOW76



Standard features:

- 2xShearpins for Push/Pull / torque mounted (add. as spare parts incl.: 4xShearpins)
- 1xRetaining pin
- Air-inflated tires
- Hydraulically height adjustable undercarriage
- Split steel tube
- Skydrol resistant paint
- Standard colors:
 yellow RAL 1007 (tube),
 black RAL 9004 (undercarriage)

Net weight:

- 420 kg / 926 lbs

Aircraft application:

- IL76
- IL476

Options (at extra charges):

- Puncture-proof (full rubber) tires
 → Option R4
- Floating axle
 → Option AV
- Revolving tow head $\pm 10^\circ$
 → Option AD
- Revolving tow eye
 → Option AP
- Revolving tow eye with shock absorber
 → Option AA
- Customized color for towbar tube i.a.w. RAL coding scheme
 → Option A-RAL

Documentation:

- Technical manual incl. illustrated spare parts list
- COC Certificate of Conformity
- CE Declaration of Conformity (if applicable)

Shear pins / Retaining pin:

- 20-00150-0020-022 "AO" Push/Pull and Torque
- 20-00150-0020-021 "AO-FB" Retaining pin

Shipping information incl. packing (dismantled):

Approx. Weight	Approx. shipping Dims l x w x h	Approx. Volume
[kg]	[mm]	[m ³]
536	4700 x 1050 x 1300	6,4
[lbs]	[inch]	[ft ³]
1182	185 x 41 x 51	226

