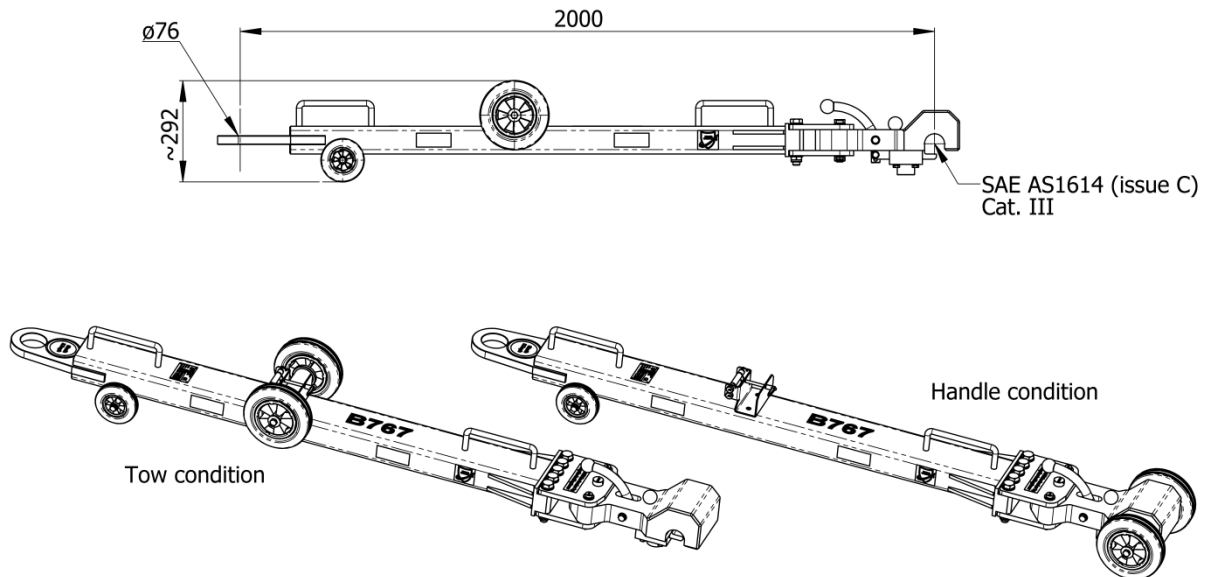


J-TOW767-T



Standard features:

- Push/Pull and torque shear pin
- 2 spare shear pins included
- Retaining pin
- Steel rectangular tube
- Aluminium towhead for coupling from above
- Rigid tow eye, 3" (76mm)
- Two wheels at each end (in handle condition)
- Skydrol resistant paint
- Standard color yellow RAL 1007

Net weight:

- 70 kg / 154 lbs

Aircraft application:

- B767

Options (at extra charges):

- Transportation Box – P/N J-TOW767-TB
 - Material: Multiplex panel V100
 - l x w x h: 2200 x 350 x 450mm
86.6 x 13.8 x 17.7 inch
 - Weight: 25kg / 55lbs
- Transportation Box – P/N J-TOW767-TBA
 - Material: Aluminium
 - l x w x h: 2200 x 400 x 430mm
86.6 x 15.7 x 16.9 inch
 - Weight: 29kg / 64lbs
- Customized color for Towbar / Box
i.a.w. RAL coding

Documentation:

- Technical manual incl. illustrated spare parts list
- COC Certificate of Conformity
- CE Declaration of Conformity (if applicable)

Shear pins / Retaining pin:

- 20-00260-0020-022 "AR" Push/Pull and Torque
- 20-00260-0020-021 "AR-FB" Retaining pin

Shipping dimensions incl. packaging (dismantled, without the JMS-Transportation Box):

Approx. Weight	Approx. shipping Dims l x w x h	Approx. Volume
[kg] 95	[mm] 2200 x 350 x 450	[m ³] 0,34
[lbs] 209	[inch] 87 x 14 x 18	[ft ³] 12