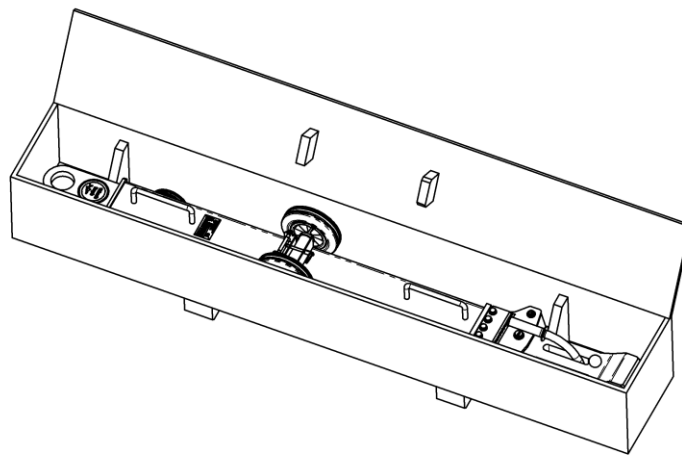
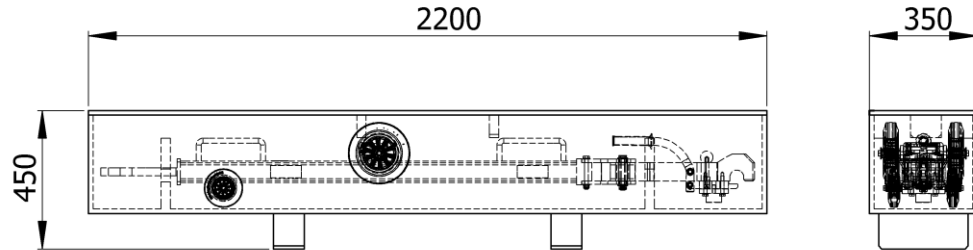


## J-TOW777-TB



### Standard features:

- Multiplex panel V100
- Standard color light grey RAL 7035
- Support blocks for the towbar
- Forklift trays

### Options (at extra charges):

- Customized color i.a.w. RAL coding

### Net weight:

- 25 kg / 55 lbs

### Shipping dimensions incl. packaging:

Approx. Weight	Approx. shipping Dims l x w x h	Approx. Volume
[kg] <b>50</b>	[mm] <b>2250 x 400 x 600</b>	[m <sup>3</sup> ] <b>0,54</b>
[lbs] <b>110</b>	[inch] <b>88.5 x 15.7 x 23.6</b>	[ft <sup>3</sup> ] <b>19</b>