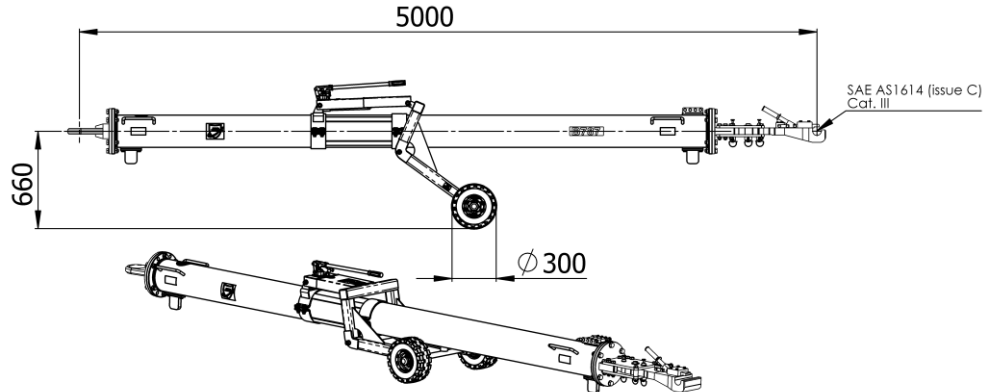


## J-TOW787



### Standard features:

- 2xShearpins for Push/Pull / torque mounted, replaceable without using tools (add. as spare parts incl.: 4xShearpins)
- 1xRetaining pin
- FOD-Protection device:  
No shear pin debris will be lost in case of shear pin fracture!
- Air-inflated tires
- Hydraulically height adjustable undercarriage
- Steel tube
- Skydrol resistant paint
- Standard colors: yellow RAL 1007 (tube), black RAL 9004 (undercarriage)

### Net weight:

- 340 kg / 750 lbs

### Aircraft application:

- B787-8/-9/-10

### Options (at extra charges):

- Puncture-proof (full rubber) tires  
→ Option R3
- Floating axle  
→ Option AV
- Revolving tow head  $\pm 10^\circ$   
→ Option AD
- Revolving tow eye  
→ Option AP
- Revolving tow eye with shock absorber  
→ Option AA
- Customized color for towbar tube i.a.w. RAL coding scheme  
→ Option A-RAL
- Mechanical shear break indicator  
→ Option MSI

### Documentation:

- Technical manual incl. illustrated spare parts list
- COC Certificate of Conformity
- CE Declaration of Conformity (if applicable)

### Shear pins / Retaining pin:

- 20-01490-0020-222 "BR" Push/Pull
- 20-01490-0020-225 "BT" Torque
- 20-01490-0020-021 "L1-FB" Retaining pin

### Shipping information incl. packing (dismantled):

Approx. Weight	Approx. shipping Dims l x w x h	Approx. Volume
[kg] <b>456</b>	[mm] <b>5200 x 1050 x 965</b>	[m <sup>3</sup> ] <b>5,26</b>
[lbs] <b>1005</b>	[inch] <b>205 x 41 x 38</b>	[ft <sup>3</sup> ] <b>186</b>