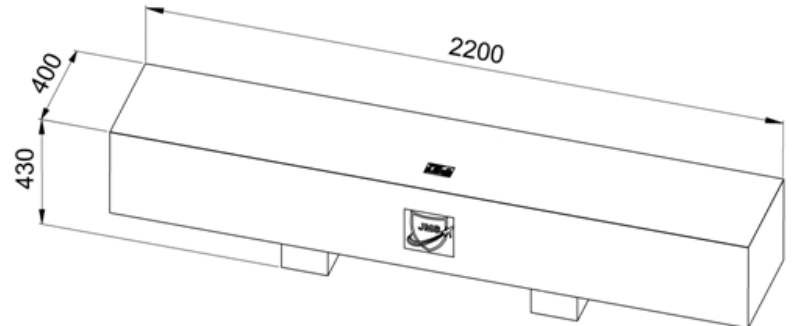




## J-TOW96-TBA



### Standard features:

- Transport Box made of Aluminium
- Support blocks to securely fix the towbar components
- Retractable handles on each side to carry box by hand and to strap box down
- Sealed top cover
- Forklift blocks

### Net weight:

- 35 kg / 77 lbs

### Options (at extra charges):

- Customized color i.a.w. RAL coding

### Shipping dimensions incl. packaging:

Approx. Weight	Approx. shipping Dims l x w x h	Approx. Volume
[kg]	[mm]	[m <sup>3</sup> ]
<b>60</b>	<b>2250 x 450 x 600</b>	<b>0,60</b>
[lbs]	[inch]	[ft <sup>3</sup> ]
<b>132</b>	<b>88.5 x 17.7 x 23.6</b>	<b>21.2</b>