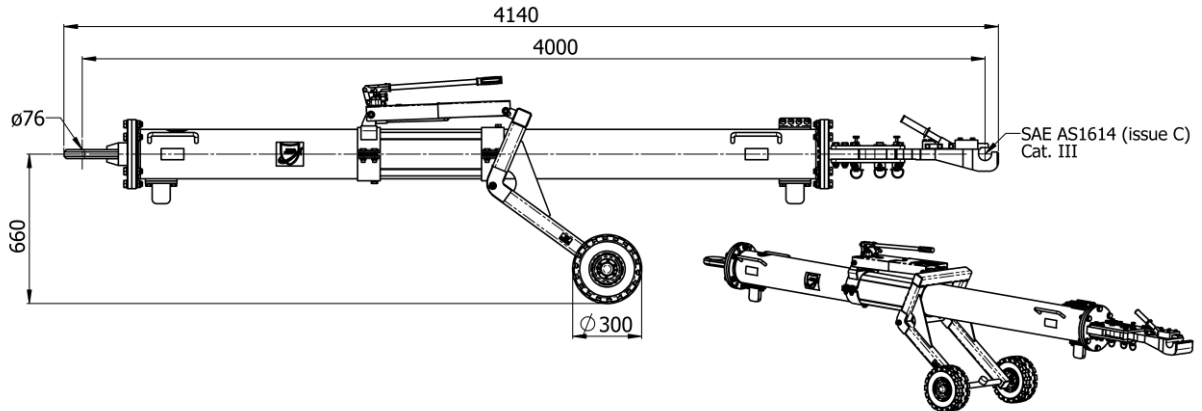


J-TOWDC10



Standard features:

- 2xShearpins for Push/Pull / torque mounted, replaceable without using tools (add. as spare parts incl.: 4xShearpins)
- 1xRetaining pin
- FOD-Protection device: No shear pin debris will be lost in case of shear pin fracture!
- Automatic locking mechanism
- Revolving tow head $\pm 10^\circ$ (required for NLG of DC10 / MD11)
- Air-inflated tires
- Hydraulically height adjustable undercarriage
- Steel tube
- Skydrol resistant paint
- Standard colors: yellow RAL 1007 (tube), black RAL 9004 (undercarriage)

Aircraft application:

- DC10
- MD11

Options (at extra charges):

- Puncture-proof (full rubber) tires
 → Option R3
- Floating axle
 → Option AV
- Revolving tow eye
 → Option AP
- Revolving tow eye with shock absorber
 → Option AA
- Customized color for towbar tube i.a.w. RAL coding scheme
 → Option A-RAL
- Mechanical shear break indicator
 → Option MSI

Documentation:

- Technical manual incl. illustrated spare parts list
- COC Certificate of Conformity
- CE Declaration of Conformity (if applicable)

Shear pins / Retaining pin:

- 20-01490-0020-122 "BQ" Push/Pull
- 20-01490-0020-125 "BS" Torque
- 20-01490-0020-021 "L1-FB" Retaining pin

Net weight:

- 290 kg / 639 lbs

Shipping information incl. packing (dismantled):

Approx. Weight	Approx. shipping Dims l x w x h	Approx. Volume
[kg]	[mm]	[m ³]
355	4200 x 1000 x 760	3,2
[lbs]	[inch]	[ft ³]
782	165 x 39 x 30	113