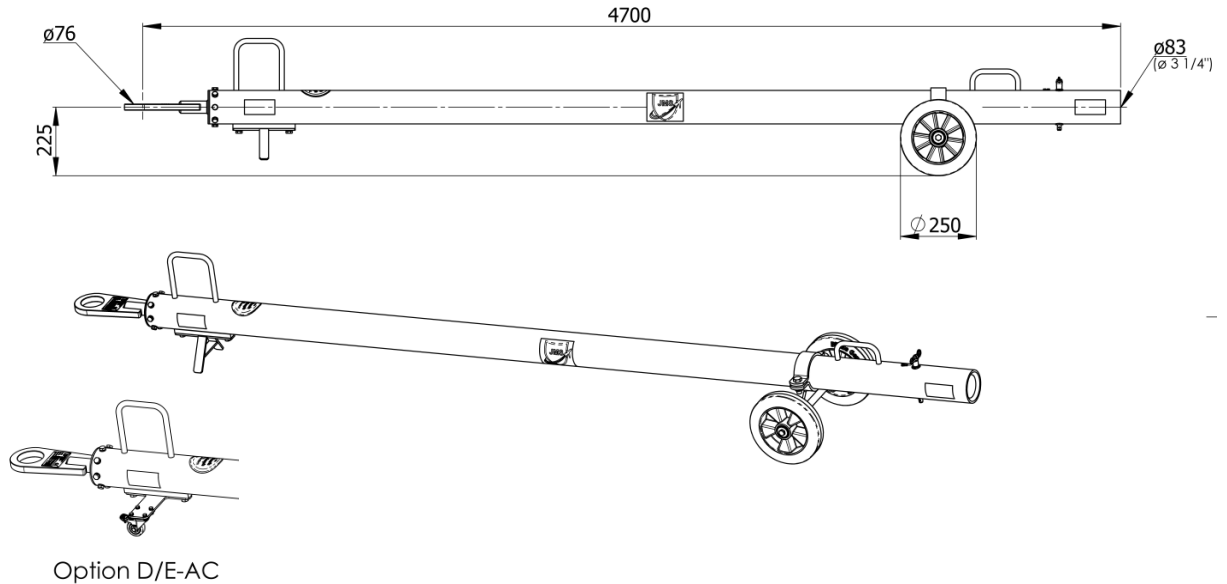


J-TOWbiz2-L



Standard features:

- Aluminium tube
- Quick release pin for easy towhead replacement
- Undercarriage with puncture-proof tires
- Handles for safe attachment to the aircraft
- Skydrol resistant paint
- Standard color yellow RAL 1007
- Compatible to J-TOWheads of JMS D-/E-Series, but also to other universal business jet towheads using a $\varnothing 83\text{mm} / \varnothing 3\frac{1}{4}\text{''}$ tube lock system

Net weight: (for towbar without towhead)

- 55 kg / 121 lbs

Options (at extra charges):

- Adapter for using J-TOWheads with a $\varnothing 77\text{mm} / 3\text{''}$ adapter system.
 → Adapter D-E
- Revolving toweye
 → Option EP
- Revolving tow eye with shock absorber
 → Option EA
- Additional castors (lockable) on toweye side
 → Option D/E-AC
- Customized color for towbar tube i.a.w. RAL coding scheme
 → Option E-RAL

Documentation:

- Technical manual incl. illustrated spare parts list
- COC Certificate of Conformity
- CE Declaration of Conformity (if applicable)

Shipping information incl. packing: (for towbar without towhead):

Approx. Weight	Approx. shipping Dims l x w x h	Approx. Volume
[kg] 110	[mm] 4820 x 800 x 700	[m ³] 2,7
[lbs] 242.5	[inch] 190 x 31.5 x 27.6	[ft ³] 95.4