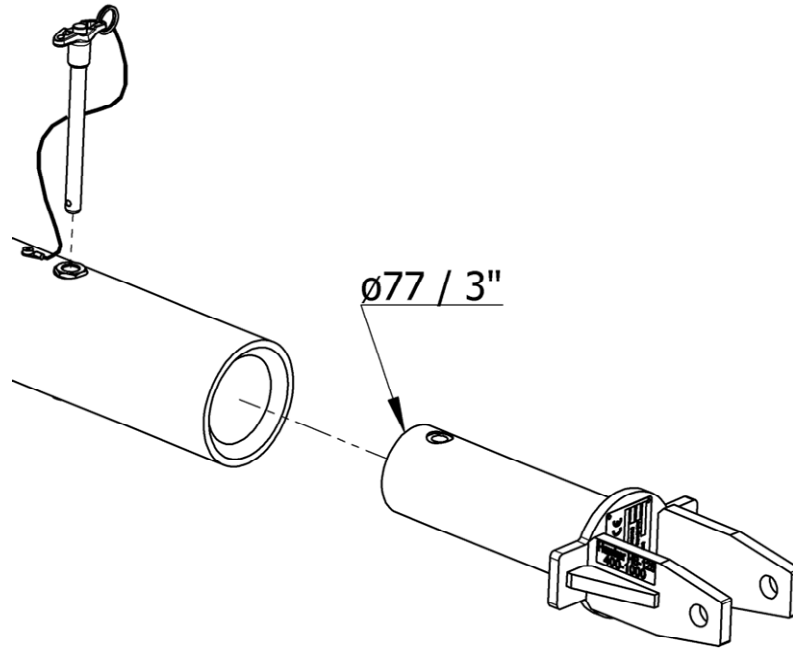


J-TOWhead-D141



Standard features:

- Towhead for **J-TOWbiz1** – Towbar.
 Also compatible to other universal towbars (e.g. TronAir) with $\varnothing 77\text{mm}$ / $\varnothing 3''$ adapter system.
- Also compatible to J-TOWbiz2 and J-TOWbiz3 - Towbar and to other universal tow bars with $\varnothing 83\text{ mm}$ / $\varnothing 3 \frac{1}{4}''$ adapter system (additional adapter necessary)
- Quick release pin system for easy towhead replacement
- All steel parts corrosion-resistant

Net weight:

- 5 kg / 11 lbs

Documentation:

- Technical manual incl. illustrated spare parts list
- COC Certificate of Conformity
- CE Declaration of Conformity (if applicable)

Aircraft application:

- Hawker – Siddeley HS-125
- Hawker 400/800/850XP/900/1000

Shipping information incl. packing:

Approx. Weight	Approx. shipping Dims l x w x h	Approx. Volume
[kg] 8	[mm] 600 x 400 x 350	[m ³] 0,084
[lbs] 18	[inch] 23.6 x 15.7 x 13.7	[ft ³] 2.97