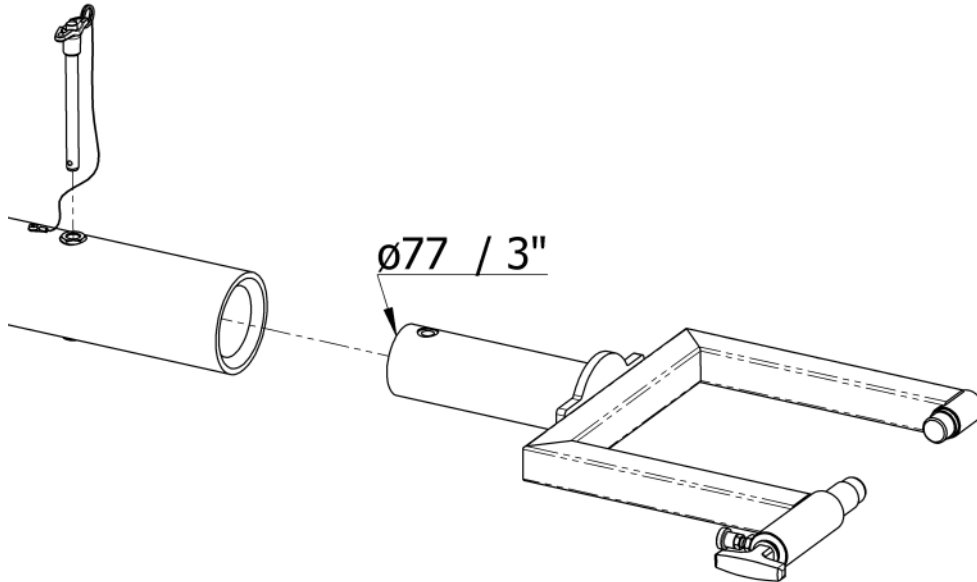


J-TOWhead-D142



Standard features:

- Towhead for **J-TOWbiz1** – Towbar.
 Also compatible to other universal towbars (e.g. TronAir) with $\varnothing 77\text{mm}$ / $3''$ adapter system.
- Also compatible to J-TOWbiz2 and J-TOWbiz3 - Towbar and to other universal tow bars with $\varnothing 83\text{ mm}$ / $3\frac{1}{4}''$ adapter system (additional adapter necessary)
- Quick release pin system for easy towhead replacement
- All steel parts corrosion-resistant

Net weight:

- 8 kg / 18 lbs

Documentation:

- Technical manual incl. illustrated spare parts list
- COC Certificate of Conformity
- CE Declaration of Conformity (if applicable)

Aircraft application:

- Hawker 400XP (formerly Beechjet 400)
- Hawker Beechcraft 390 Premier (formerly Raytheon 390 Premier I)

Shipping information incl. packing:

Approx. Weight	Approx. shipping Dims l x w x h	Approx. Volume
[kg] 32	[mm] 1200 x 800 x 350	[m ³] 0,34
[lbs] 71	[inch] 47.2 x 31.5 x 13.8	[ft ³] 12