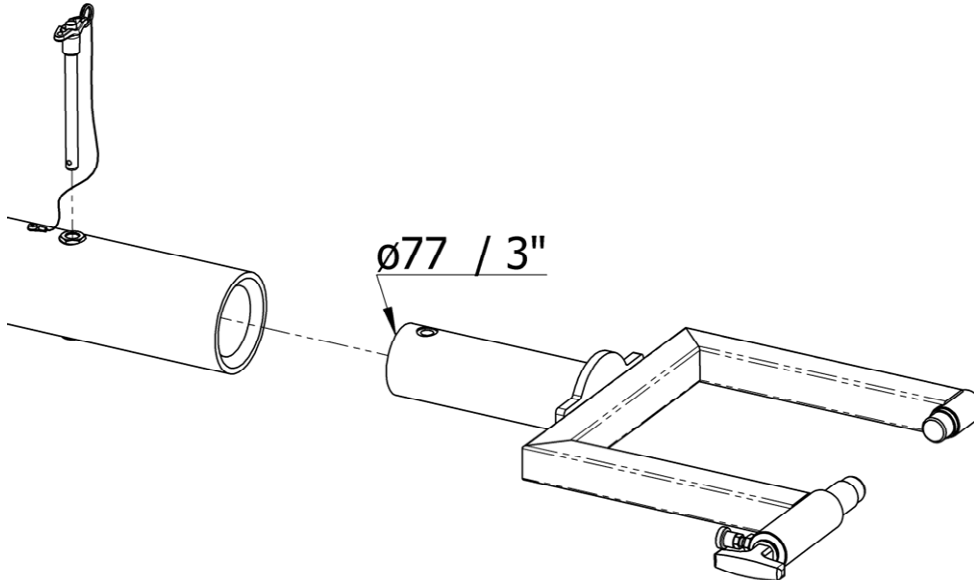


## J-TOWhead-D143



### Standard features:

- Towhead for **J-TOWbiz1** – Towbar.  
Also compatible to other universal towbars (e.g. TronAir) with  $\varnothing 77\text{mm}$  /  $3''$  adapter system.
- Also compatible to J-TOWbiz2 and J-TOWbiz3 - Towbar and to other universal tow bars with  $\varnothing 83\text{ mm}$  /  $3\frac{1}{4}''$  adapter system (additional adapter necessary)
- Quick release pin system for easy towhead replacement
- All steel parts corrosion-resistant

### Net weight:

- 9 kg / 20 lbs

### Documentation:

- Technical manual incl. illustrated spare parts list
- COC Certificate of Conformity
- CE Declaration of Conformity (if applicable)

### Aircraft application:

- Hawker Beechcraft (Raytheon)  
King Air 90, 100, 200, 300, 350, 1900  
Starship, Queenair  
C-12, T44
- Fairchild, Merlin / Metro  
Merlin I, II, IV, SJ-30
- Sino Swearingen  
SJ-30, Metro

### Shipping information incl. packing:

Approx. Weight	Approx. shipping Dims l x w x h	Approx. Volume
[kg] <b>33</b>	[mm] <b>1200 x 800 x 350</b>	[m <sup>3</sup> ] <b>0,34</b>
[lbs] <b>73</b>	[inch] <b>47.2 x 31.5 x 13.8</b>	[ft <sup>3</sup> ] <b>12</b>