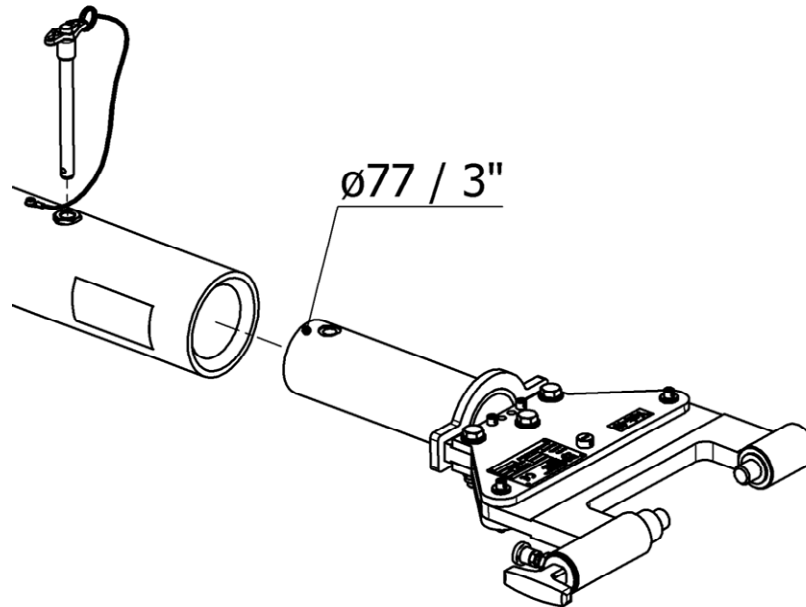


## J-TOWhead-D151



### Standard features:

- Towhead for **J-TOWbiz1-L** – Towbar.  
Also compatible to other universal towbars (e.g. TronAir) with  $\varnothing 77\text{mm}$  /  $\varnothing 3''$  adapter system.
- Also compatible to J-TOWbiz2-L and J-TOWbiz3 - Towbar and to other universal tow bars with  $\varnothing 83\text{ mm}$  /  $\varnothing 3 \frac{1}{4}''$  adapter system (additional adapter necessary)
- Quick release pin system for easy towhead replacement
- Push/Pull and torque shear pin
- 2 spare shear pins included
- Retaining pin
- All steel parts corrosion-resistant

### Net weight:

- 12 kg / 26 lbs

### Documentation:

- Technical manual incl. illustrated spare parts list
- COC Certificate of Conformity
- CE Declaration of Conformity (if applicable)

### Shear pins:

- 20-00070-0020-022 “AG” Push/Pull and Torque
- 20-00070-0020-021 “AG-FB” Retaining pin

### Aircraft application:

- Yak-40

### Shipping information incl. packing:

Approx. Weight	Approx. shipping Dims l x w x h	Approx. Volume
[kg] <b>15</b>	[mm] <b>600 x 400 x 250</b>	[m <sup>3</sup> ] <b>0,06</b>
[lbs] <b>37</b>	[inch] <b>23.6 x 15.7 x 9.8</b>	[ft <sup>3</sup> ] <b>2.12</b>