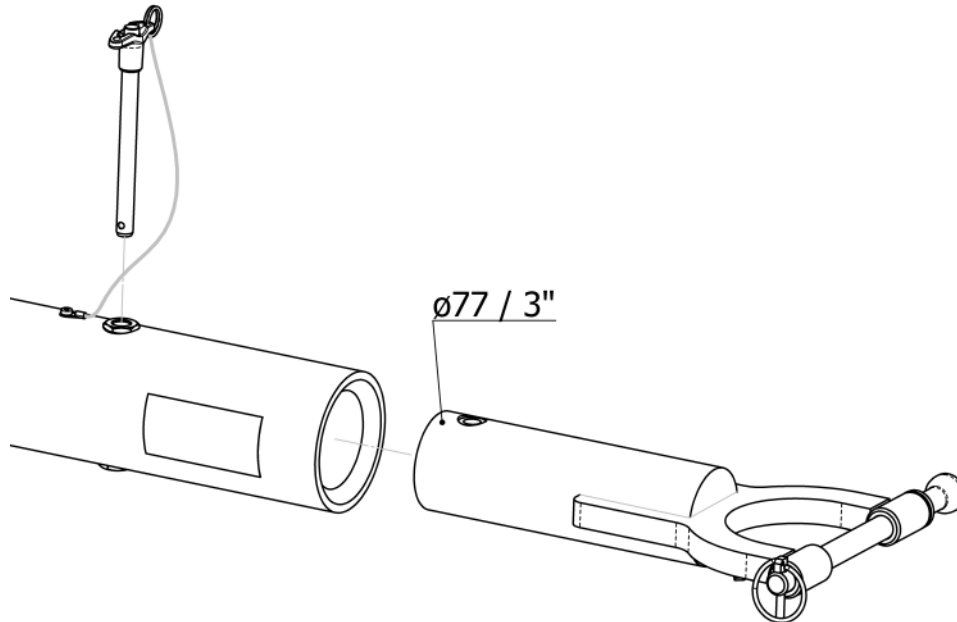


## J-TOWhead-D180



**ATTENTION! The combination of J-TOWbiz1 and J-TOWhead-D180 is not suitable in case the helicopter is equipped with a cable cutter!**

### Standard features:

- Towhead for **J-TOWbiz1** – Towbar.  
Also compatible to other universal towbars (e.g. TronAir) with  $\varnothing 77\text{mm}$  /  $\varnothing 3''$  adapter system.
- Also compatible to J-TOWbiz2 and J-TOWbiz3 - Towbar and to other universal tow bars with  $\varnothing 83\text{ mm}$  /  $\varnothing 3 \frac{1}{4}''$  adapter system (additional adapter necessary)
- Quick release pin system for easy towhead replacement
- All steel parts corrosion-resistant

### Documentation:

- Technical manual incl. illustrated spare parts list
- COC Certificate of Conformity
- CE Declaration of Conformity (if applicable)

### Aircraft application:

- Mi-8 / Mi-17

### Net weight:

- 7 kg / 15 lbs

### Shipping information incl. packing:

Approx. Weight	Approx. shipping Dims l x w x h	Approx. Volume
[kg] <b>10</b>	[mm] <b>600 x 400 x 350</b>	[m <sup>3</sup> ] <b>0,084</b>
[lbs] <b>22</b>	[inch] <b>23.6 x 15.7 x 13.8</b>	[ft <sup>3</sup> ] <b>2.97</b>