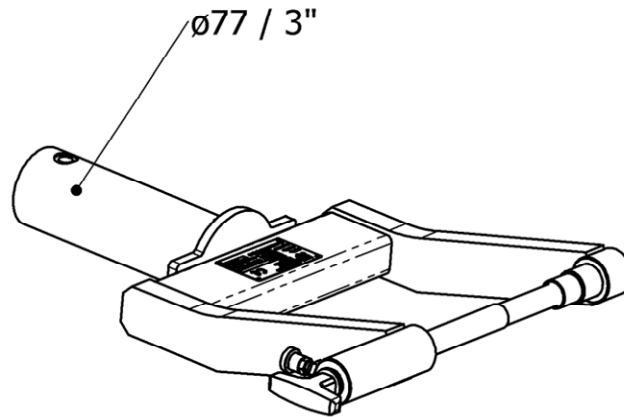


## J-TOWhead-D190



### Standard features:

- Towhead for **J-TOWbiz1** – Towbar.  
 Also compatible to other universal towbars (e.g. TronAir) with  $\varnothing 77\text{mm}$  /  $\varnothing 3\text{\"}$  adapter system.
- Also compatible to J-TOWbiz2 and J-TOWbiz3 - Towbar and to other universal tow bars with  $\varnothing 83\text{ mm}$  /  $\varnothing 3\frac{1}{4}\text{\"}$  adapter system (additional adapter necessary)
- Quick release pin system for easy towhead replacement
- All steel parts corrosion-resistant

### Net weight:

- 16 kg / 34 lbs

### Documentation:

- Technical manual incl. illustrated spare parts list
- COC Certificate of Conformity
- CE Declaration of Conformity (if applicable)

### Aircraft application:

- Gulfstream Aerospace:
- G100 (formerly Astra SPX)
  - Westwind
  - Jet Commander

### Shipping information incl. packing:

Approx. Weight	Approx. shipping Dims l x w x h	Approx. Volume
[kg] <b>40</b>	[mm] <b>1200 x 800 x 300</b>	[m <sup>3</sup> ] <b>0,29</b>
[lbs] <b>88</b>	[inch] <b>47.2 x 31.5 x 11.8</b>	[ft <sup>3</sup> ] <b>10</b>