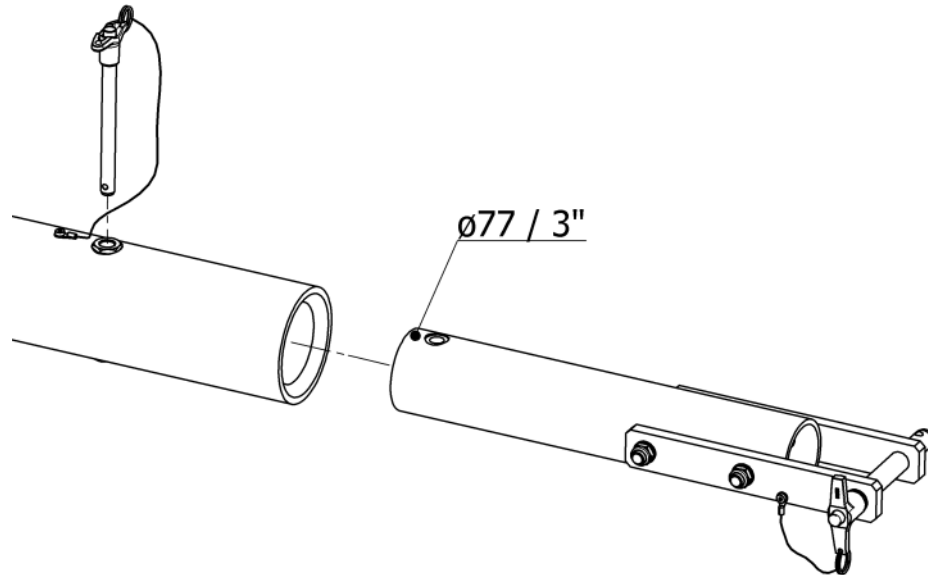


J-TOWhead-D38



Standard features:

- Towhead for **J-TOWbiz1** – Towbar.
 Also compatible to other universal towbars (e.g. TronAir) with $\varnothing 77\text{mm}$ / $\varnothing 3''$ adapter system.
- Also compatible to J-TOWbiz2 and J-TOWbiz3 - Towbar and to other universal tow bars with $\varnothing 83\text{ mm}$ / $\varnothing 3 \frac{1}{4}''$ adapter system (additional adapter necessary)
- Quick release pin system for easy towhead replacement
- All steel parts corrosion-resistant

Net weight:

- 6 kg / 13 lbs

Documentation:

- Technical manual incl. illustrated spare parts list
- COC Certificate of Conformity
- CE Declaration of Conformity (if applicable)

Aircraft application:

- BAe Jetstream 31, 32

Shipping information incl. packing:

Approx. Weight	Approx. shipping Dims l x w x h	Approx. Volume
[kg] 9	[mm] 600 x 400 x 230	[m ³] 0,05
[lbs] 20	[inch] 23.6 x 15.7 x 9	[ft ³] 1.77