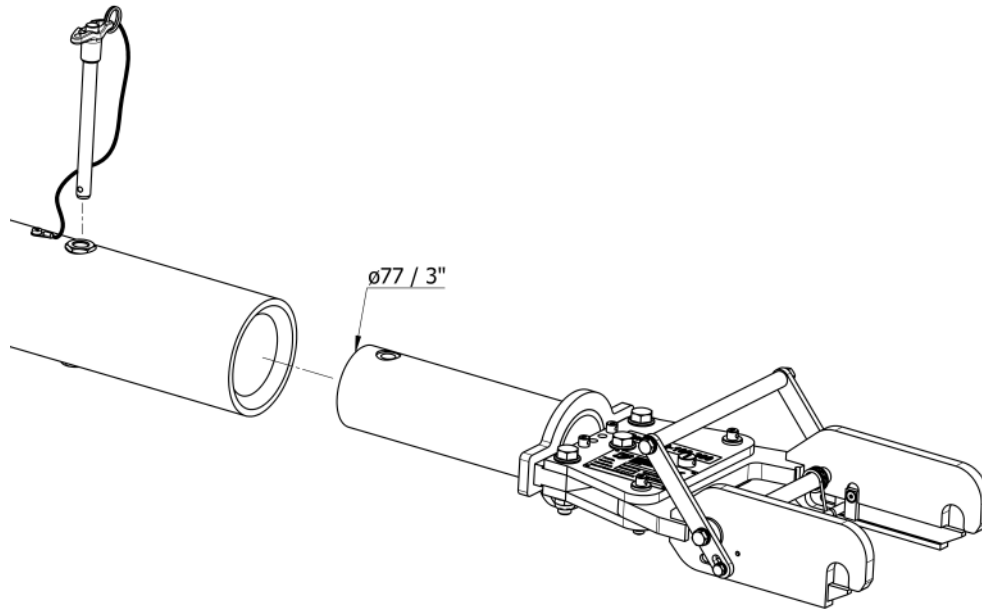


J-TOWhead-D44

Towhead for DASH 8Q-100/ -200 / -300



Standard features:

- Towhead for **J-TOWbiz1** – Towbar.
Also compatible to other universal towbars (e.g. TronAir) with $\varnothing 77\text{mm} / \varnothing 3''$ adapter system.
- Also compatible to J-TOWbiz2 and J-TOWbiz3 – Towbar and to other universal tow bars with $\varnothing 83\text{ mm} / \varnothing 3 \frac{1}{4}''$ adapter system (additional adapter necessary)
- Quick release pin system for easy towhead replacement
- Push/Pull and torque shear pin
- 2 spare shear pins included
- Retaining pin
- All steel parts corrosion-resistant

Net weight:

- 11 kg / 24 lbs

Documentation:

- Technical manual incl. illustrated spare parts list
- COC Certificate of Conformity
- CE Declaration of Conformity (if applicable)

Aircraft application:

- DASH 8Q-100 / -200 / -300

Shear pins:

- 00.38080.0121 "AF" Push/Pull and Torque
- 20-00100-0020-021 "AM-FB" Retaining pin

Shipping information incl. packing:

Approx. Weight	Approx. shipping Dims l x w x h	Approx. Volume
[kg] 14	[mm] 600 x 400 x 300	[m ³] 0,072
[lbs] 31	[inch] 23.6 x 15.7 x 11.8	[ft ³] 2.54