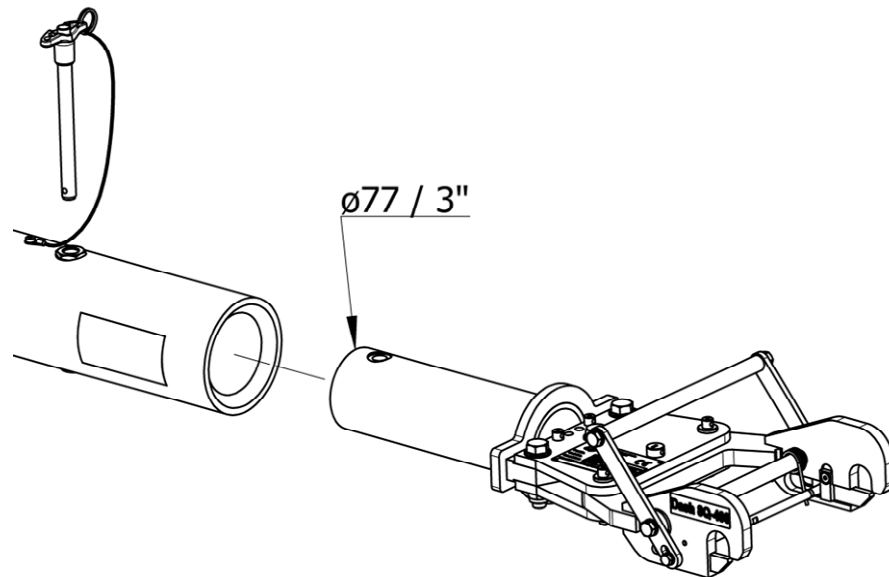


J-TOWhead-D45



Standard features:

- Towhead for **J-TOWbiz1** – Towbar.
 Also compatible to other universal towbars (e.g. TronAir) with $\varnothing 77\text{mm}$ / $\varnothing 3''$ adapter system.
- Also compatible to J-TOWbiz2 and J-TOWbiz3 - Towbar and to other universal tow bars with $\varnothing 83\text{ mm}$ / $\varnothing 3 \frac{1}{4}''$ adapter system (additional adapter necessary)
- Quick release pin system for easy towhead replacement
- Push/Pull and torque shear pin
- 2 spare shear pins included
- Retaining pin
- All steel parts corrosion-resistant

Net weight:

- 10 kg / 22 lbs

Documentation:

- Technical manual incl. illustrated spare parts list
- COC Certificate of Conformity
- CE Declaration of Conformity (if applicable)

Shear pins:

- 20-00340-0020-022 “AS” Push/Pull and Torque
- 00.37960.0124 “W-FB” Retaining pin

Aircraft application:

- DASH 8Q-400

Shipping information incl. packing:

Approx. Weight	Approx. shipping Dims l x w x h	Approx. Volume
[kg] 13	[mm] 600 x 400 x 300	[m ³] 0,072
[lbs] 29	[inch] 23.6 x 15.7 x 11.8	[ft ³] 2.54