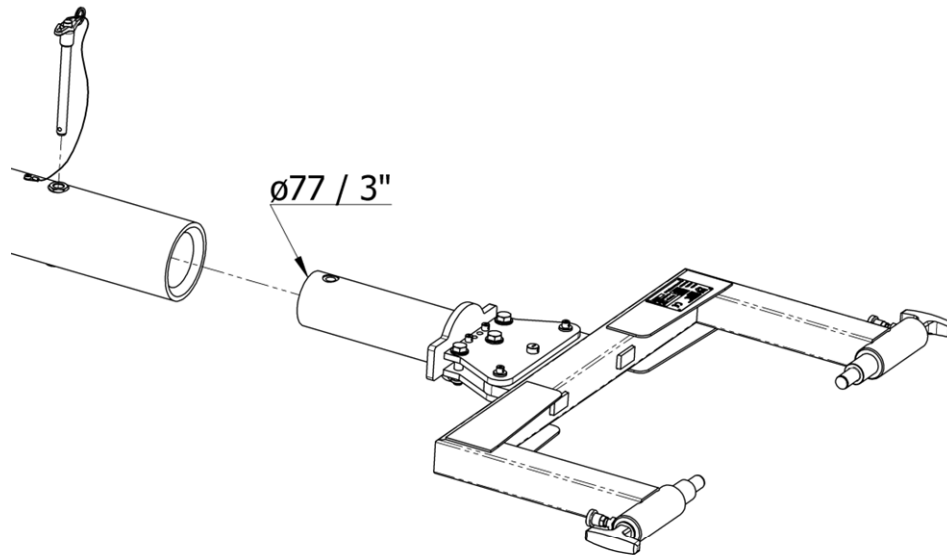


J-TOWhead-D46



Standard features:

- Towhead for **J-TOWbiz1** – Towbar.
Also compatible to other universal towbars (e.g. TronAir) with $\varnothing 77\text{mm}$ / $\varnothing 3''$ adapter system.
- Also compatible to J-TOWbiz2 and J-TOWbiz3 - Towbar and to other universal tow bars with $\varnothing 83\text{ mm}$ / $\varnothing 3 \frac{1}{4}''$ adapter system (additional adapter necessary)
- Quick release pin system for easy towhead replacement
- Push/Pull and torque shear pin
- 2 spare shear pins included
- Retaining pin
- All steel parts corrosion-resistant

Net weight:

- 18 kg / 39 lbs

Documentation:

- Technical manual incl. illustrated spare parts list
- COC Certificate of Conformity
- CE Declaration of Conformity (if applicable)

Shear pins:

- 20-00070-0020-022 “AG” Push/Pull and Torque
- 20-00070-0020-021 “AG-FB” Retaining pin

Aircraft application:

- Challenger 300/350
- Saab 340 / Saab 2000

Shipping information incl. packing:

Approx. Weight	Approx. shipping Dims l x w x h	Approx. Volume
[kg]	[mm]	[m ³]
42	1200 x 800 x 250	0,24
[lbs]	[inch]	[ft ³]
92	47.2 x 31.5 x 9.8	8.48