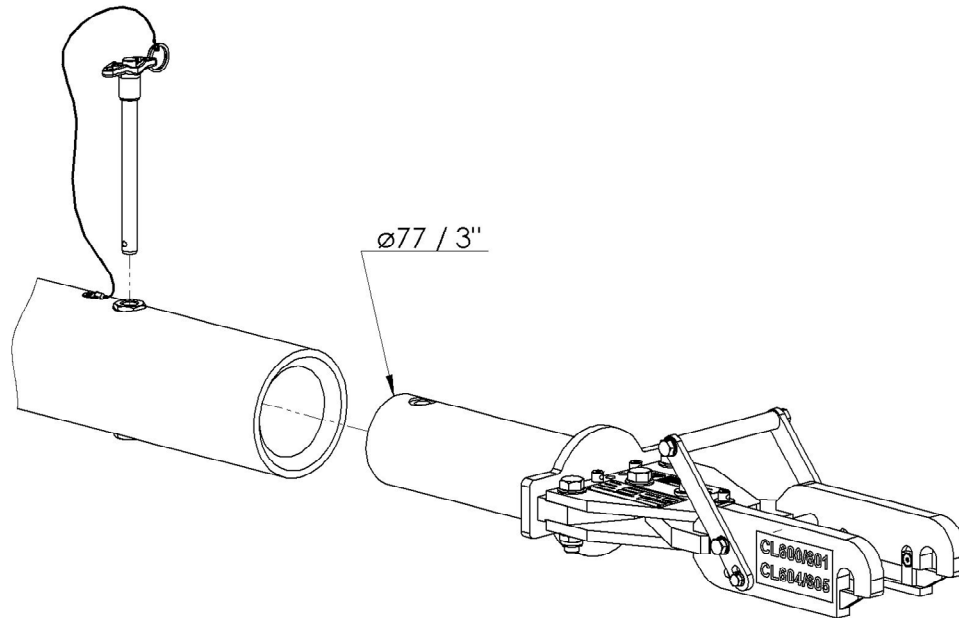


J-TOWhead-D47



Standard features:

- Towhead for **J-TOWbiz1** – Towbar.
Also compatible to other universal towbars (e.g. TronAir) with $\varnothing 77\text{mm}$ / $\varnothing 3''$ adapter system.
- Also compatible to J-TOWbiz2 and J-TOWbiz3 - Towbar and to other universal tow bars with $\varnothing 83\text{ mm}$ / $\varnothing 3 \frac{1}{4}''$ adapter system (additional adapter necessary)
- Quick release pin system for easy towhead replacement
- Push/Pull and torque shear pin
- 2 spare shear pins included
- Retaining pin
- All steel parts corrosion-resistant

Net weight:

- 12 kg / 26.5 lbs

Documentation:

- Technical manual incl. illustrated spare parts list
- COC Certificate of Conformity
- CE Declaration of Conformity (if applicable)

Shear pins:

- 20-00070-0020-022 “AG” Push/Pull and Torque
- 20-00100-0020-021 “AM-FB” Retaining pin

Aircraft application:

- Bombardier Challenger 600, 601, 604, 605, 650

Shipping information incl. packing:

Approx. Weight	Approx. shipping Dims l x w x h	Approx. Volume
[kg] 15	[mm] 800 x 400 x 350	[m ³] 0,112
[lbs] 33	[inch] 31.5 x 15.7 x 13.7	[ft ³] 3.96