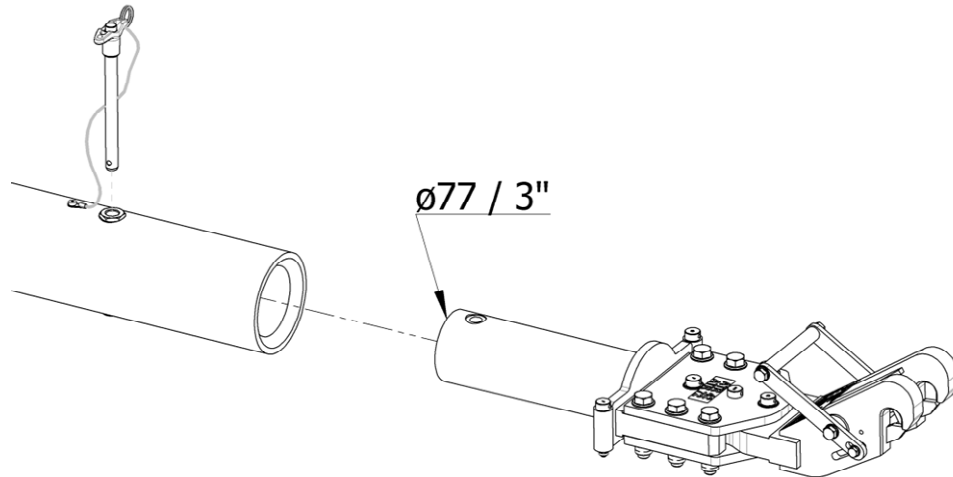


J-TOWhead-D60



Standard features:

- Towhead for **J-TOWbiz1** – Towbar.
 Also compatible to other universal towbars (e.g. TronAir) with $\varnothing 77\text{mm}$ / $\varnothing 3\text{''}$ adapter system.
- Also compatible to J-TOWbiz2 and J-TOWbiz3 - Towbar and to other universal tow bars with $\varnothing 83\text{ mm}$ / $\varnothing 3\frac{1}{4}\text{''}$ adapter system (additional adapter necessary)
- Quick release pin system for easy towhead replacement
- Push/Pull and torque shear pin
- 1 Push/Pull and 1 Torque spare shear pin included
- Retaining pin
- All steel parts corrosion-resistant

Net weight:

- 12 kg / 26.5 lbs

Shipping information incl. packing:

Approx. Weight	Approx. shipping Dims l x w x h	Approx. Volume
[kg] 15	[mm] 600 x 400 x 350	[m ³] 0,084
[lbs] 33	[inch] 23.6 x 15.7 x 13.7	[ft ³] 2.97

Documentation:

- Technical manual incl. illustrated spare parts list
- COC Certificate of Conformity
- CE Declaration of Conformity (if applicable)

Shear pins:

- 00.36360.0016 "G" Push/Pull
- 00.36360.0012 "F" Torque
- 20-00480-0020-021 "G-FB" Retaining pin

Aircraft application:

- ATR 42
- ATR 72