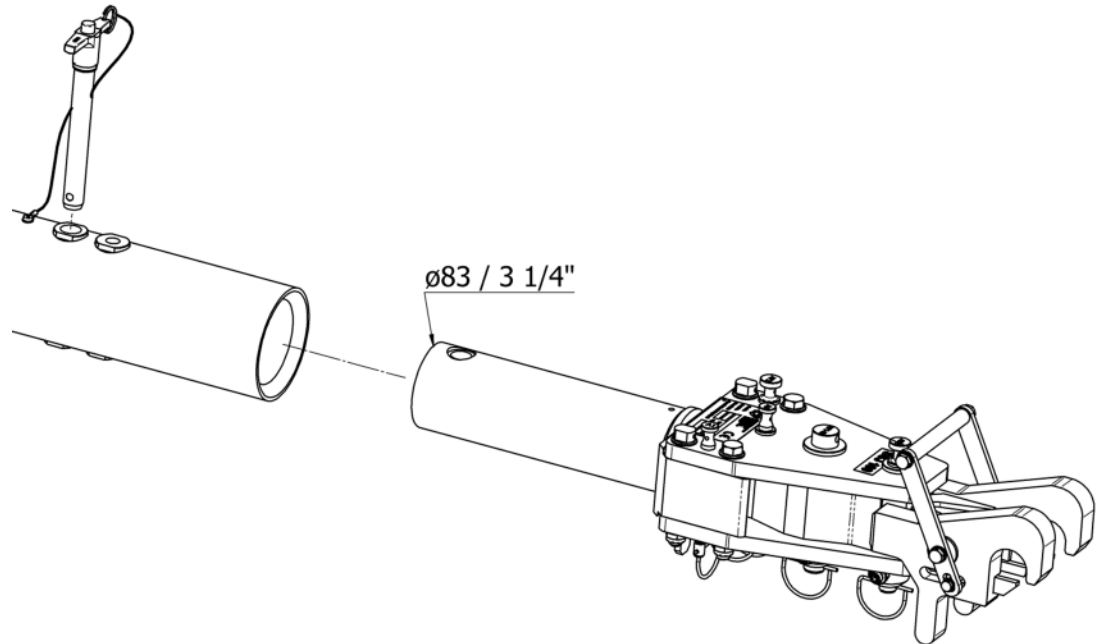


## J-TOWhead-E100



### Standard features:

- Towhead for **J-TOWbiz2-L** and **J-TOWbiz3-** Towbar. Also compatible to other universal towbars (e.g. TronAir) with  $\varnothing 83$  mm/  $\varnothing 3 \frac{1}{4}$ " Adapter system.
- Quick release pin system for easy towhead replacement
- Push/Pull and torque shear pin
- 1 Push-Pull and 1 Torque spare shear pin included
- Retaining pin
- All steel parts corrosion-resistant

### Net weight:

- 27 kg / 60 lbs

### Documentation:

- Technical manual incl. illustrated spare parts list
- COC Certificate of Conformity
- CE Declaration of Conformity (if applicable)

### Shear pins / Retaining pin:

- 20-01130-0020-022 "AP2" Push/Pull
- 20-00730-0020-022 "A1" Torque
- 20-01130-0020-021 "AP1-FB" Retaining pin

### Aircraft application:\*

- SUKHOI SUPERJET 100

### Shipping information incl. packing:

Approx. Weight	Approx. shipping Dims l x w x h	Approx. Volume
[kg] <b>36</b>	[mm] <b>600 x 400 x 300</b>	[m <sup>3</sup> ] <b>0,072</b>
[lbs] <b>79</b>	[inch] <b>23.6 x 15.7 x 11.8</b>	[ft <sup>3</sup> ] <b>2.54</b>

\*Towbar not listed by OEM