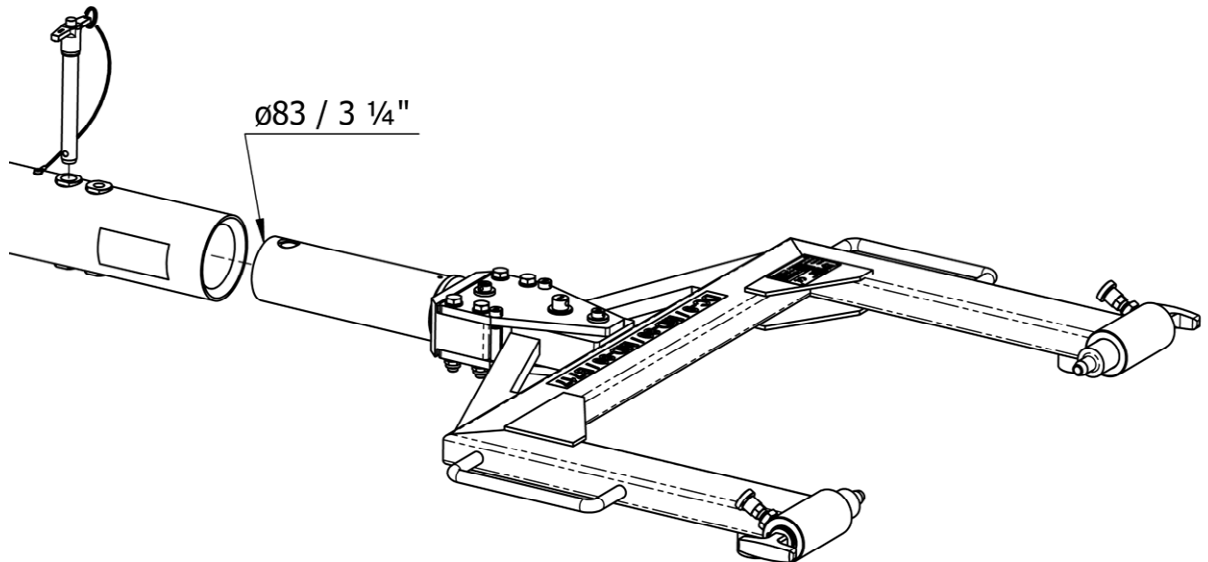


## J-TOWhead-E27



### Standard features:

- Towhead for **J-TOWbiz2** and **J-TOWbiz3**-Towbar. Also compatible to other universal towbars (e.g. TronAir) with  $\varnothing 83 \text{ mm} / \varnothing 3 \frac{1}{4}''$  Adapter system.
- Quick release pin system for easy towhead replacement
- Push/Pull and torque shear pin
- 1 Push-Pull and 1 Torque spare shear pin included
- Retaining pin
- All steel parts corrosion-resistant

### Net weight:

- 40 kg / 88 lbs

### Documentation:

- Technical manual incl. illustrated spare parts list
- COC Certificate of Conformity
- CE Declaration of Conformity (if applicable)

### Shear pins / Retaining pin:

- 00.37210.0012 "M" Push/Pull
- 00.37210.0013 "AC" Torque
- 20-00020-0020-021 "D1-FB" Retaining pin

### Aircraft application:\*

- MD-80 (MD-81, MD-82, MD-83)
- MD-90
- DC-9
- B717

### Shipping information incl. packing:

Approx. Weight	Approx. shipping Dims l x w x h	Approx. Volume
[kg] <b>64</b>	[mm] <b>1200 x 800 x 250</b>	[m <sup>3</sup> ] <b>0,24</b>
[lbs] <b>141</b>	[inch] <b>47.2 x 31.5 x 9.8</b>	[ft <sup>3</sup> ] <b>8.48</b>

\*Towbar not listed by OEM