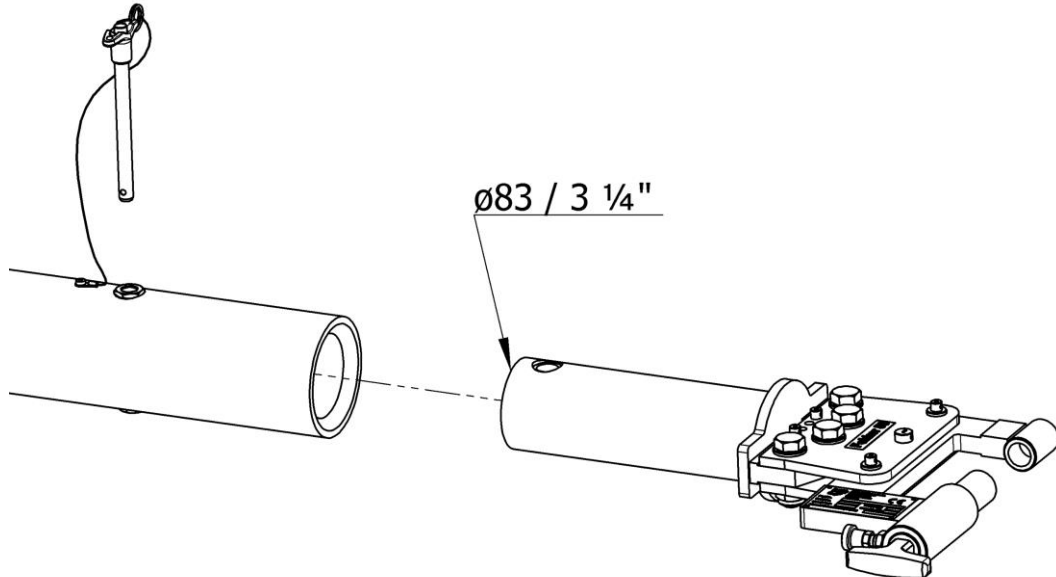


J-TOWhead-E30



Standard features:

- Towhead for **J-TOWbiz2** and **J-TOWbiz3**-Towbar. Also compatible to other universal towbars (e.g. TronAir) with $\varnothing 83$ mm/ $\varnothing 3\frac{1}{4}$ " Adapter system.
- Quick release pin system for easy towhead replacement
- Push/Pull and torque shear pin
- 2 spare shear pins included
- Retaining pin
- All steel parts corrosion-resistant

Net weight:

- 12 kg / 26 lbs

Documentation:

- Technical manual incl. illustrated spare parts list
- COC Certificate of Conformity
- CE Declaration of Conformity (if applicable)

Shear pins / Retaining pin:

- 00.37960.0121 "W" Push/Pull and Torque
- 00.37960.0124 "W-FB" Retaining pin

Aircraft application:*

- Fokker 50

Shipping information incl. packing:

Approx. Weight	Approx. shipping Dims l x w x h	Approx. Volume
[kg] 15	[mm] 600 x 400 x 250	[m ³] 0,06
[lbs] 33	[inch] 23.6 x 15.7 x 9.8	[ft ³] 2.12

*Towbar not listed by OEM