

**JMS AG**  
 Jet Maintenance & Service  
 Rainer-Haungs-Strasse 42  
 77933 Lahr/Germany  
 Phone +49 (7821) 9 94 69 – 0  
 Fax +49 (7821) 9 94 69 – 100



Internet: <http://www.jms.aero/>  
 eMail: <mailto:sales@jms.aero>

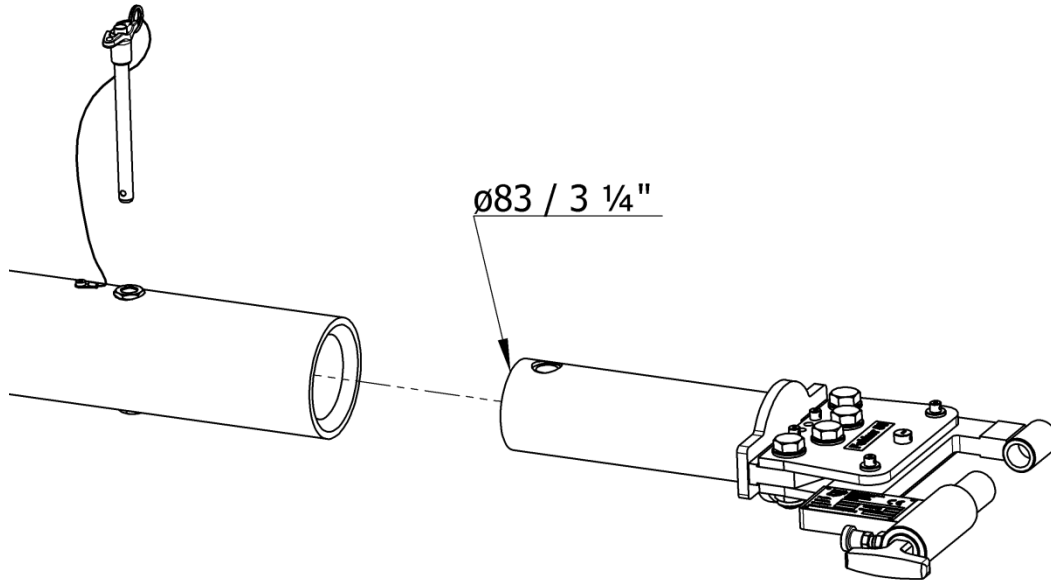
HRB 705130 Amtsgericht Freiburg i.Br.  
 VAT Reg No/UST.-IdNr.: DE270217003

Doc. No. TDS J-TOWhead-E31\_R00.doc

**Datasheet:**

**p/n: J-TOWhead-E31**

Towhead for Fokker 70 / 100



**Features:**

- Towhead for **J-TOWbiz2-L / J-TOWbiz3** – Towbar. Also compatible to other universal towbars (e.g. TronAir) with ø83 mm/ ø3 1/4" Adapter system.
- Quick release pin system for easy towhead replacement
- Push/Pull and torque shear pin
- 2 spare shear pins included
- Retaining pin
- All steel parts corrosion-resistant

**Documentation:**

- Technical manual incl. illustrated spare parts list
- COC Certificate of Conformity
- CE Declaration of Conformity (if applicable)

**Aircraft application:**

- Fokker 70
- Fokker 100

**Net weight:**

- 12 kg / 26 lbs

**Shear pins:**

- 20-00340-0020-022 "AS" Push/Pull and Torque
- 20-00340-0020-021 "AS-FB" Retaining pin

**Shipping information incl. packing:**

<b>Approx. Weight</b>	<b>Approx. shipping Dims</b> l x w x h	<b>Approx. Volume</b>
[kg] <b>15</b>	[mm] <b>600 x 400 x 250</b>	[m³] <b>0,06</b>
[lbs] <b>33</b>	[inch] <b>23.6 x 15.7 x 9.8</b>	[ft³] <b>2.12</b>

We reserve the right to update this datasheet at any time w/o prior notice!