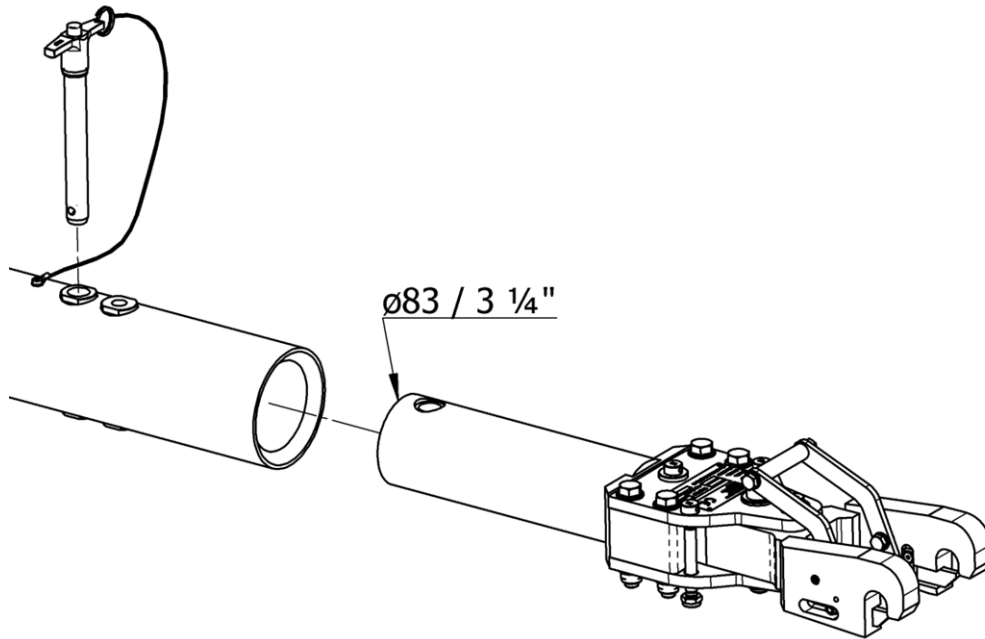


J-TOWhead-E37



Standard features:

- Towhead for **J-TOWbiz2** and **J-TOWbiz3**-Towbar. Also compatible to other universal towbars (e.g. TronAir) with $\varnothing 83 \text{ mm} / \varnothing 3 \frac{1}{4}"$ Adapter system.
- Quick release pin system for easy towhead replacement
- Push/Pull and torque shear pin
- 1 Push-Pull and 1 Torque spare shear pin included
- Retaining pin
- All steel parts corrosion-resistant

Net weight:

- 16 kg / 35 lbs

Documentation:

- Technical manual incl. illustrated spare parts list
- COC Certificate of Conformity
- CE Declaration of Conformity (if applicable)

Shear pins / Retaining pin:

- 00.37200.0012 "H" Push/Pull
- 00.36780.0013 "C" Torque
- 20-00020-0020-021 "D1-FB" Retaining pin

Aircraft application:*

- Avro RJ
- BAe 146

Shipping information incl. packing:

Approx. Weight	Approx. shipping Dims l x w x h	Approx. Volume
[kg] 19	[mm] 600 x 400 x 300	[m ³] 0,072
[lbs] 42	[inch] 23.6 x 15.7 x 11.8	[ft ³] 2.54

*Towbar not listed by OEM