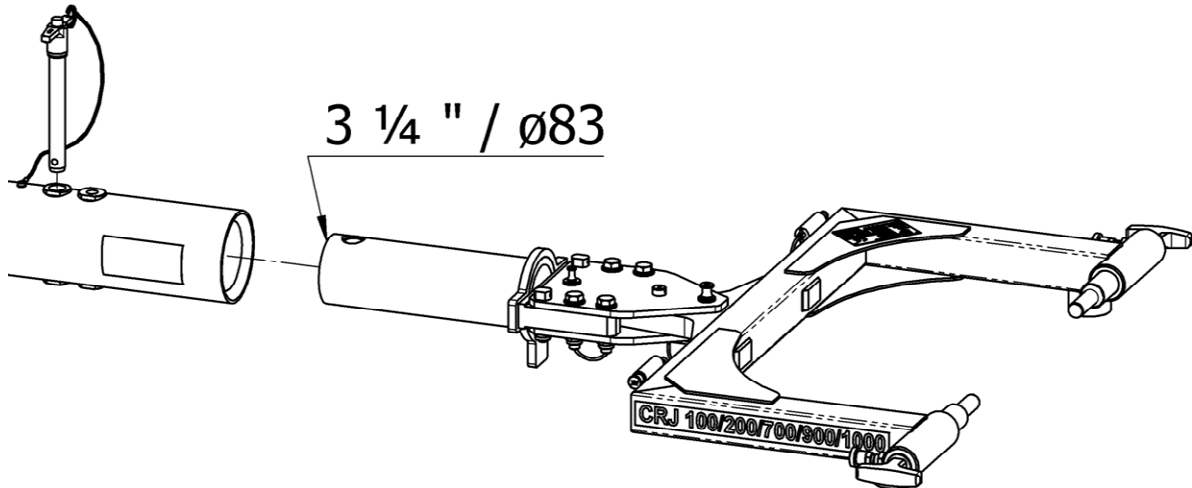


J-TOWhead-E43



Standard features:

- Towhead for **J-TOWbiz2** and **J-TOWbiz3**-Towbar. Also compatible to other universal towbars (e.g. TronAir) with ø83 mm/ ø 3 ¼" Adapter system.
- Quick release pin system for easy towhead replacement
- Push/Pull and torque shear pins, replaceable without using tools
- FOD-Protection device:
No shear pin debris will be lost in case of shear pin fracture!
- 1 Push-Pull and 1 Torque spare shear pin included
- Retaining pin
- All steel parts corrosion-resistant
Fork painted in RAL7042

Net weight:

- 25 kg / 55 lbs

Documentation:

- Technical manual incl. illustrated spare parts list
- COC Certificate of Conformity
- CE Declaration of Conformity (if applicable)

Shear pins / Retaining pin:

- 20-00930-0020-022 "AX1" Push/Pull
- 20-00930-0020-027 "AZ1" Torque
- 20-00930-0020-021 "AX1-FB" Retaining pin

Aircraft application:*

- CRJ-100/200/700/900/1000
- Challenger 850, 870, 890
- Hawker 4000

Shipping information incl. packing:

Approx. Weight	Approx. shipping Dims l x w x h	Approx. Volume
[kg] 49	[mm] 1200 x 920 x 250	[m ³] 0,28
[lbs] 108	[inch] 47.2 x 36.2 x 9.8	[ft ³] 9.89

*Towbar not listed by OEM