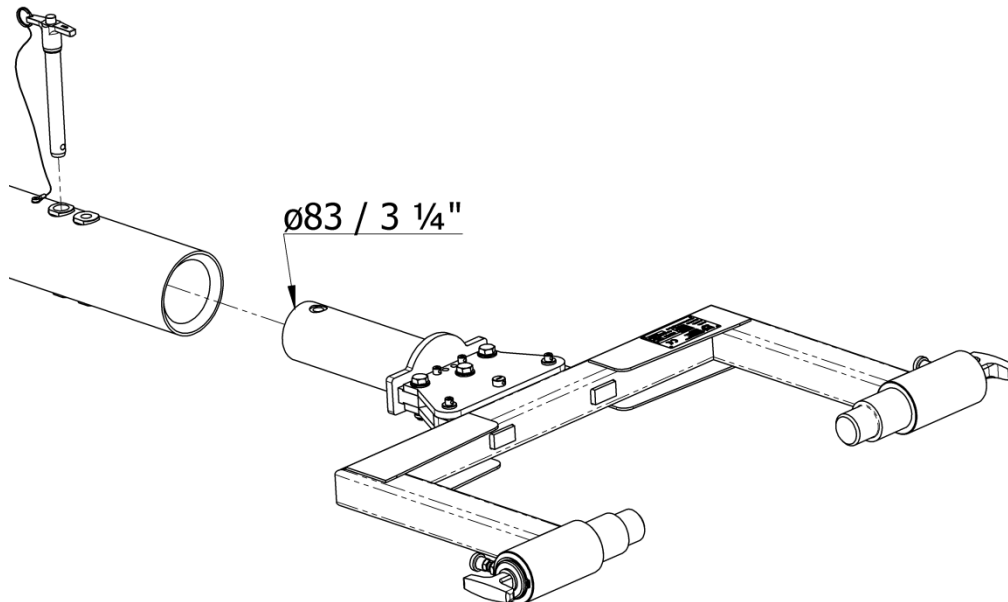


## J-TOWhead-E56



### Standard features:

- Towhead for **J-TOWbiz2** and **J-TOWbiz3**-Towbar. Also compatible to other universal towbars (e.g. TronAir) with ø83 mm/ ø 3 1/4" Adapter system.
- Quick release pin system for easy towhead replacement
- Push/Pull and torque shear pin
- 2 spare shear pins included
- Retaining pin
- All steel parts corrosion-resistant

### Net weight:

- 26 kg / 57 lbs

### Documentation:

- Technical manual incl. illustrated spare parts list
- COC Certificate of Conformity
- CE Declaration of Conformity (if applicable)

### Shear pins / Retaining pin:

- 20-00070-0020-022 "AG" Push/Pull and Torque
- 20-00070-0020-021 "AG-FB" Retaining pin

### Aircraft application:\*

- Gulfstream  
 GI / GII / GIII / GIV / GV / GV-SP / G300 / G350 / G400 / G450 / G500 / G550 / G600 / G650 / G700

### Shipping information incl. packing:

Approx. Weight	Approx. shipping Dims l x w x h	Approx. Volume
[kg] <b>50</b>	[mm] <b>1200 x 800 x 250</b>	[m <sup>3</sup> ] <b>0,24</b>
[lbs] <b>110</b>	[inch] <b>47.2 x 31.8 x 9.8</b>	[ft <sup>3</sup> ] <b>8.48</b>

\*Towbar not listed by OEM