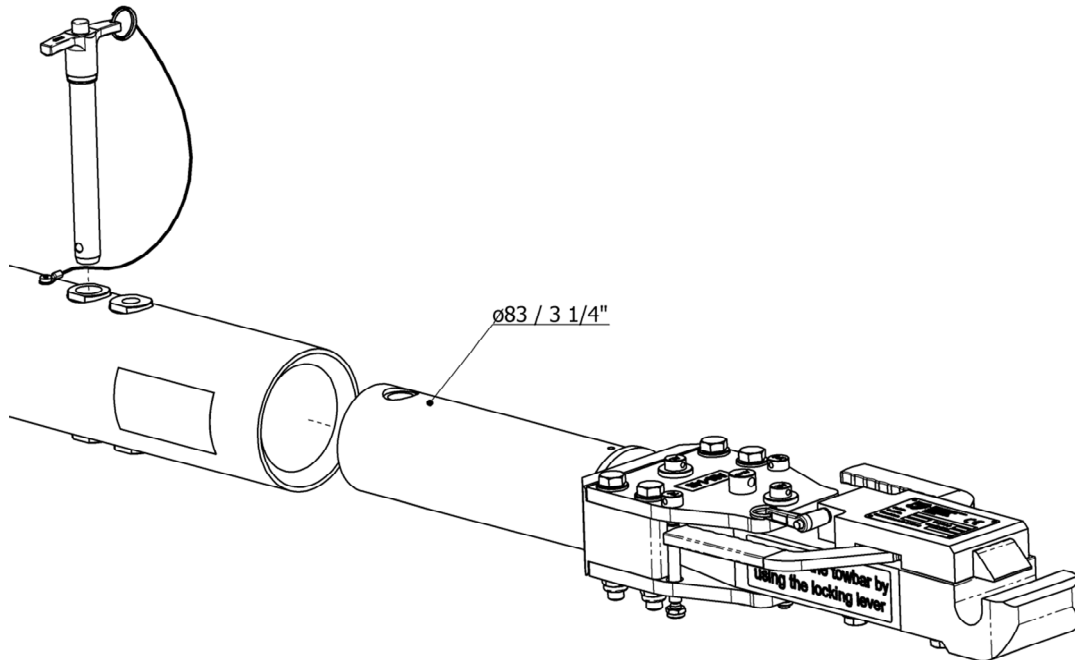


J-TOWhead-E80



Standard features:

- Towhead for **J-TOWbiz2** and **J-TOWbiz3**-Towbar. Also compatible to other universal towbars (e.g. TronAir) with $\varnothing 83 \text{ mm} / \varnothing 3 \frac{1}{4}''$ Adapter system.
- Quick release pin system for easy towhead replacement
- Push/Pull and torque shear pin
- 1 Push-Pull and 1 Torque spare shear pin included
- Retaining pin
- All steel parts corrosion-resistant

Net weight:

- 23 kg / 51 lbs

Documentation:

- Technical manual incl. illustrated spare parts list
- COC Certificate of Conformity
- CE Declaration of Conformity (if applicable)

Shear pins / Retaining pin:

- 00.41070.0012 "AK" Push/Pull
- 00.41070.0013 "AL" Torque
- 00.41070.0016 "AK-FB" Retaining pin

Aircraft application:*

- Antonov AN-148 / -158

Shipping information incl. packing:

Approx. Weight	Approx. shipping Dims l x w x h	Approx. Volume
[kg] 26	[mm] 800 x 400 x 250	[m ³] 0,08
[lbs] 57	[inch] 31.5 x 15.7 x 9.8	[ft ³] 2.83

*Towbar not listed by OEM