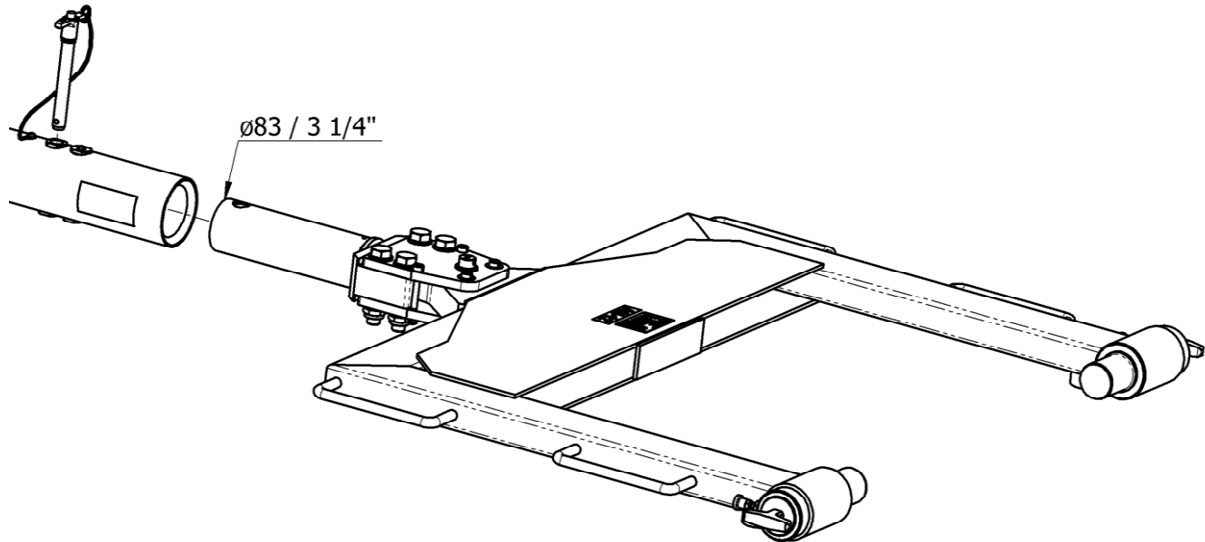


J-TOWhead-E81



Standard features:

- Towhead for **J-TOWbiz3**-Towbar.
- Quick release pin system for easy towhead replacement
- Push/Pull and torque shear pin
- 2 spare shear pins included
- Retaining pin
- All steel parts corrosion-resistant

Net weight:

- 98 kg / 216 lbs

Documentation:

- Technical manual incl. illustrated spare parts list
- COC Certificate of Conformity
- CE Declaration of Conformity (if applicable)

Shear pins / Retaining pin:

- 00.41070.0013 "AL" Push/Pull and Torque
- 20-00850-0020-021 "H-FB" Retaining pin

Aircraft application:*

- Antonov AN-12

Shipping information incl. packing:

Approx. Weight	Approx. shipping Dims l x w x h	Approx. Volume
[kg] 130	[mm] 1500 x 1500 x 270	[m ³] 0,61
[lbs] 287	[inch] 59 x 59 x 10.6	[ft ³] 21.5

*Towbar not listed by OEM