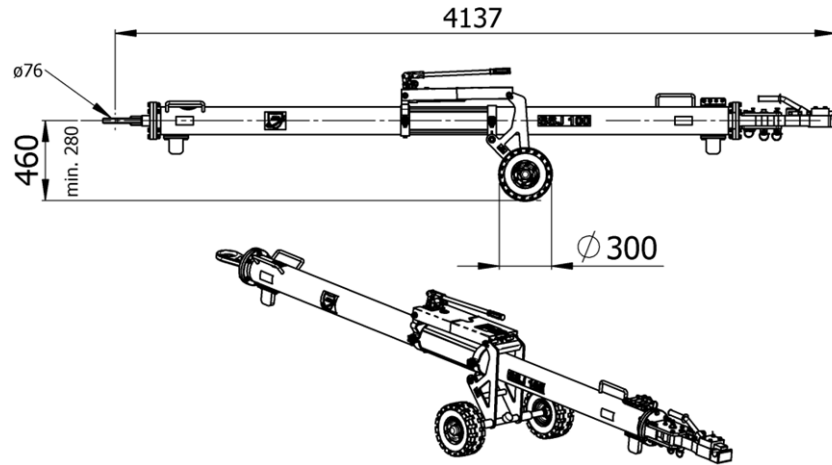


J-TOWsj100



Standard features:

- 1xPush/Pull and 1xTorque shear pin mounted, replaceable without using tools (add. as spare parts incl.: 2xPush/Pull and 2xTorque shear pins)
- 1xRetaining pin, replaceable without using tools
- FOD-Protection device:
No shear pin debris will be lost in case of shear pin fracture!
- Automatic locking mechanism
- Air-inflated tires
- Hydraulically height adjustable undercarriage
- Steel tube
- Skydrol resistant paint
- Standard colors: yellow RAL 1007 (tube), black RAL 9004 (undercarriage)

Net weight:

- 200 kg / 441 lbs

Aircraft application:

- SUKHOI SUPERJET 100

Options (at extra charges):

- Puncture-proof (full rubber) tires
→ Option R3
- Floating axle
→ Option BV
- Revolving tow head $\pm 10^\circ$
→ Option BD
- Revolving tow eye
→ Option BP
- Revolving tow eye with shock absorber
→ Option BA
- Customized color for towbar tube i.a.w. RAL coding scheme
→ Option B-RAL

Documentation:

- Technical manual incl. illustrated spare parts list
- COC Certificate of Conformity
- CE Declaration of Conformity (if applicable)

Shear pins / Retaining pin:

- 20-01130-0020-022 "AP2" Push/Pull
- 20-00730-0020-022 "A1" Torque
- 20-01130-0020-021 "AP1-FB" Retaining pin

Shipping information incl. packing:

Approx. Weight	Approx. shipping Dims l x w x h	Approx. Volume
[kg]	[mm]	[m ³]
316	4250 x 1050 x 965	4,3
[lbs]	[inch]	[ft ³]
697	167 x 41 x 38	152