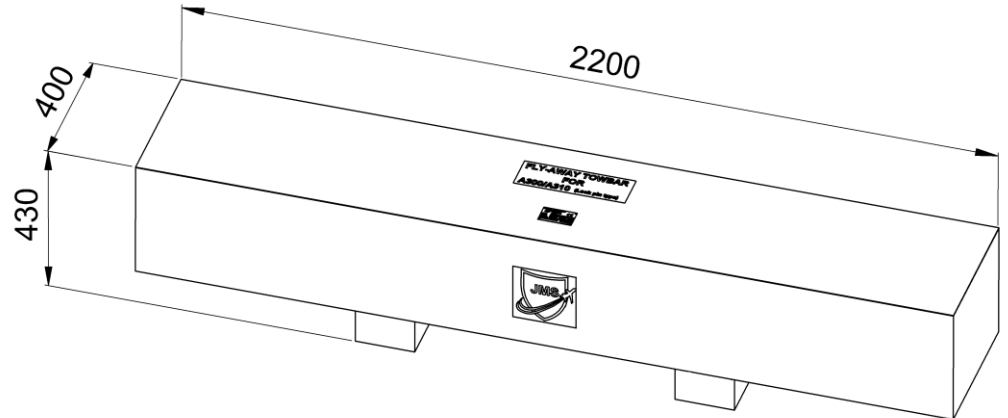




## J-TOWyk42-TS-TBA



### Standard features:

- Transport Box made of aluminum
- Support blocks to securely fix the towbar components
- Retractable handles on each side to carry box by hand and to strap box down
- Sealed top cover
- Forklift blocks

### Net weight:

- 35 kg / 77 lbs

### Options (at extra charges):

- Customized color i.a.w. RAL coding

### Shipping dimensions incl. packaging:

Approx. Weight	Approx. shipping Dims l x w x h	Approx. Volume
[kg]	[mm]	[m <sup>3</sup> ]
<b>43</b>	<b>2250 x 450 x 480</b>	<b>0,48</b>
[lbs]	[inch]	[ft <sup>3</sup> ]
<b>95</b>	<b>88.5 x 17.7 x 18.9</b>	<b>16.9</b>