

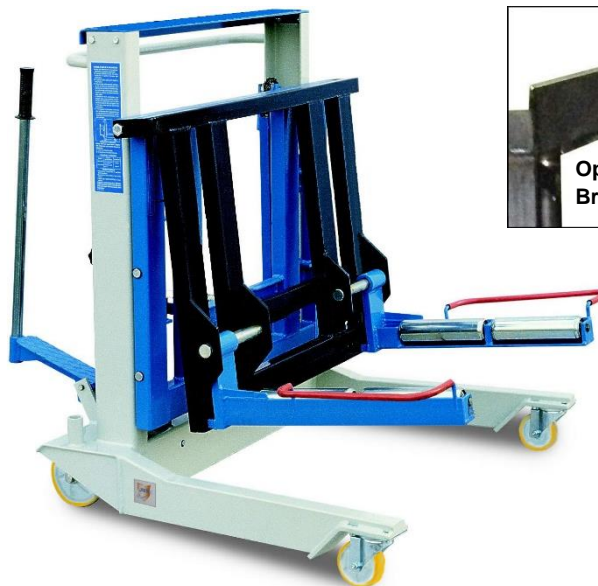
JMS AG
 Jet Maintenance & Service
 Rainer-Haungs-Strasse 42
 77933 Lahr/Germany
 Phone +49 (7821) 9 94 69 – 0
 Fax +49 (7821) 9 94 69 – 100



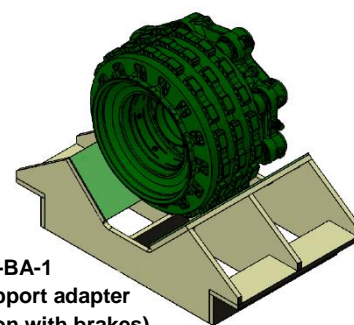
Internet: <http://www.jms.aero/>
 eMail: <mailto:sales@jms.aero>
 HRB 705130 Amtsgericht Freiburg i.Br.
 VAT Reg No/UST.-IdNr.: DE270217003
 Doc. No. TDS_227A-JMS_R04

Datasheet:

p/n: 227 A JMS Wheel Change Dolly



Option: OMCAA 227BR
 Brake crane



Option: J-BA-1
 Brake support adapter
 (Illustration with brakes)

Description:

- Large, stable base frame
- Capacity of wheel trolley **700kg / 1543lbs**
- Adjustable by means of sliding lifting arms for all wheel sizes up to A380
- Inclined lifting arms for more safety by means of leaning wheels to base frame of trolley
- Safe fixation by a additional belt
- Foot / hand-operated pump – **retractable pedal**
- Rollers on the lifting arms for easy rotation of the wheel
- Soft rubber wheels
- Standard color blue RAL 5010 / white RAL 7032 / black

Main application:

- Removal / Installation of A/C wheels / brakes

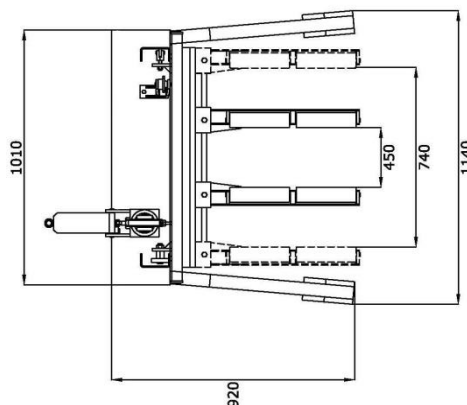
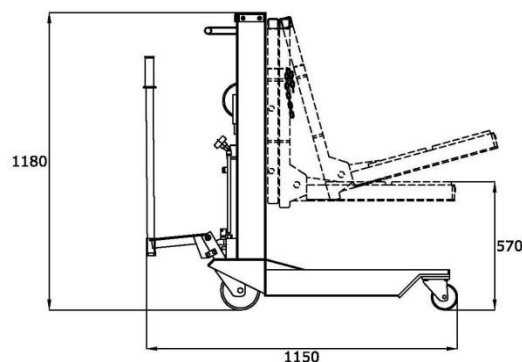
Options (at extra charges):

- Interchangeable crane - capacity 250kg / 551lbs
 → OMCAA 227BR
- Sling for handling of steel aircraft brakes (requires OMCAA-227BR)
 → J-BELT-1 (see data sheet J-BELT-1)
- Steel brake support adapter, fits directly on lifting arms
 → J-BA-1 (see data sheet J-BA-1)

Net weight:

- Base unit **227A-JMS** = 167 kg (368 lbs)
- Option **OMCAA 227BR** + 30 kg (66 lbs)
- Option **J-BELT1** + 4,3 kg (9.5 lbs)
- Option **J-BA-1** + 12,0 kg (26.45 lbs)

Dimensions:



Shipping dimensions incl. packing (without options):

| Approx. Weight | Approx. shipping Dim. l x w x h | Approx. Volume |
|----------------|------------------------------------|--------------------|
| [kg] | [mm] | [m ³] |
| 225 | 1200 x 1200 x 1400 | 2,02 |
| [lbs] | [inch] | [ft ³] |
| 496 | 47 x 47 x 55 | 71 |

We reserve the right to update this datasheet at any time w/o prior notice!